



ENGINEER
 KAS Gales Company
 Consulting Engineers
 18772 Harmon Road
 Fayetteville, AR 72704
 Wk. 479.361.9977 Cell 479.422.0763
 Email: carl.d.gales@gmail.com

Cherokee Nation
 3 Bedroom Left Living
 Title Sheet
 1323 Square Feet

CLIENT: Cherokee Nation
 Housing Authority

DESIGNED BY: CDG
 DRAWN BY: MDD
 APPROVED BY: CDG
 DATE PREPARED: June 2022

PLANS FOR 3 BEDROOM ADA LEFT LIVING ROOM WITH SIDING 1323 SQUARE FOOT

SHEET INDEX

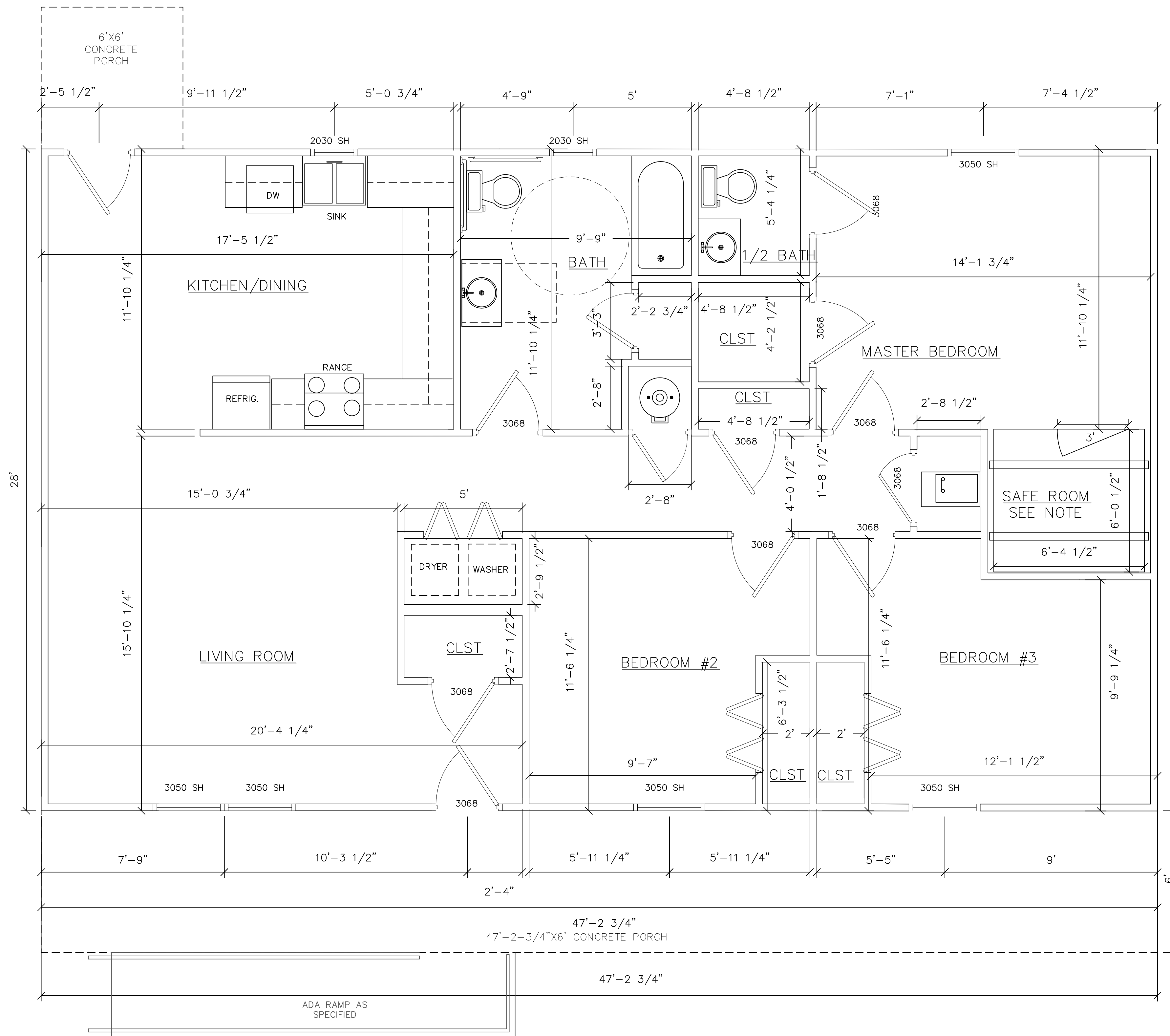
SHEET NO.	DESCRIPTION
A101	TITLE SHEET
A102	FLOOR PLAN
A103	CABINET ELEV./HVAC CLOSET FRAMING
A104	FOUNDATION PLAN
A105	FOUNDATION PLAN DETAILS/WALL SECTION DETAIL
A106	ELEVATIONS – GABLE
M101	HVAC PLANS
P101	WASTE AND VENT PLUMBING PLANS
P102	DOMESTIC WATER PLANS
E101	ELECTRICAL PLAN



NO.	REVISION	DATE	BY

A101
 SHEET NO.

**ISSUED FOR CONSTRUCTION
 JUNE 17, 2022**



NOTE:
 STORM SHELTER/SAFE
 ROOM PREFABRICATED
 WITH FEMA RATING

SCALE
 3/8" = 1'



ENGINEER
 KAS Gales Company
 Consulting Engineers
 18772 Harmon Road
 Fayetteville, AR 72704
 Wk. 479.361.9977 Cell 479.422.0763
 Email: carl.d.gales@gmail.com

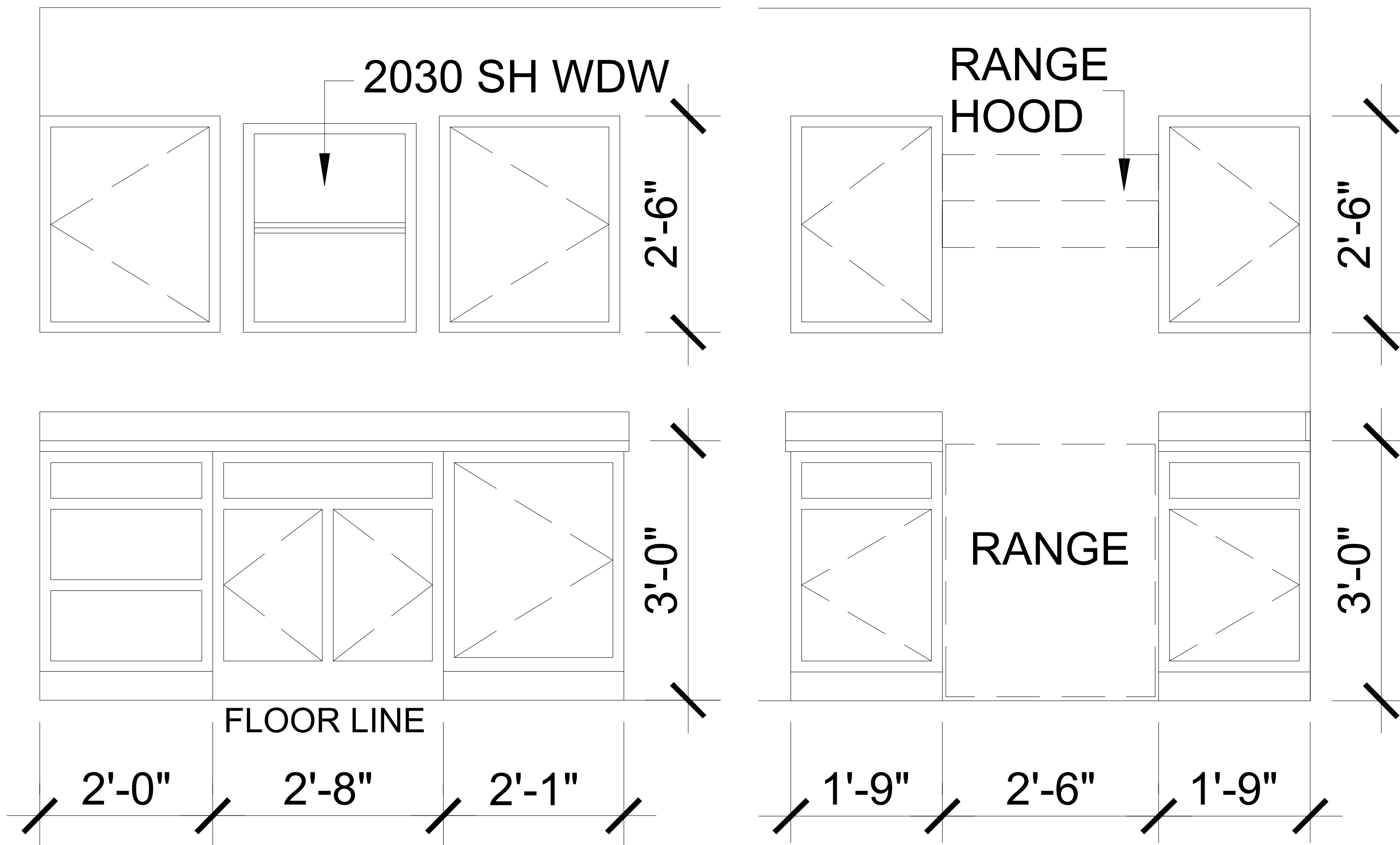
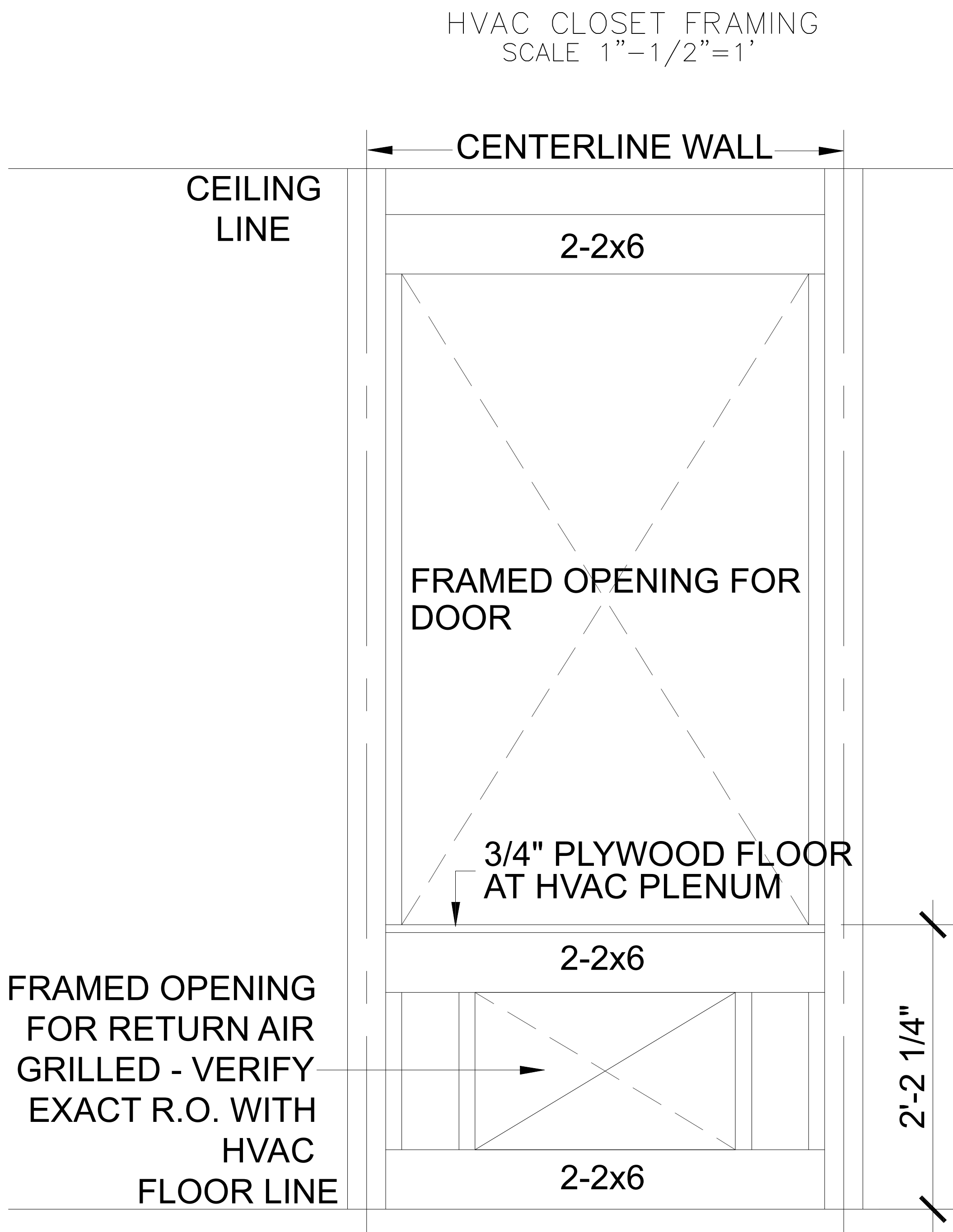
Cherokee Nation
 3 Bedroom Left Living
 Floor Plan
 1323 Square Feet

CLIENT: Cherokee Nation
 Housing Authority

DESIGNED BY: CDG
 DRAWN BY: MDD
 APPROVED BY: CDG
 DATE PREPARED: June 2022

NO.	REVISION	DATE	BY

A102
 SHEET NO.



CABINET ELEVATION
SCALE 1" = 1/2" = 1'

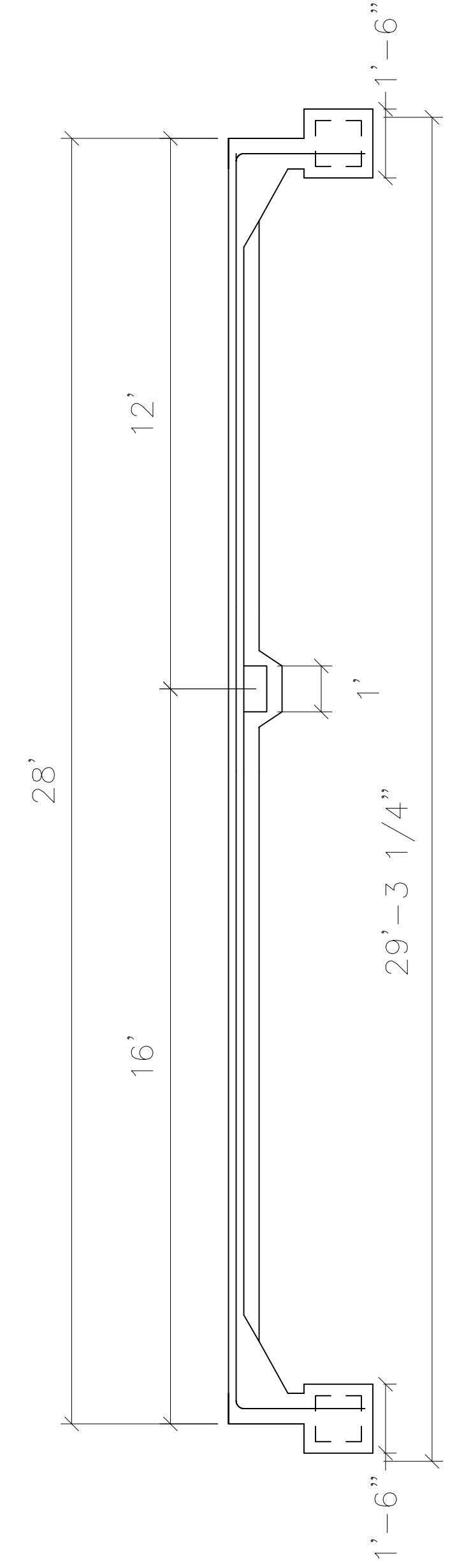
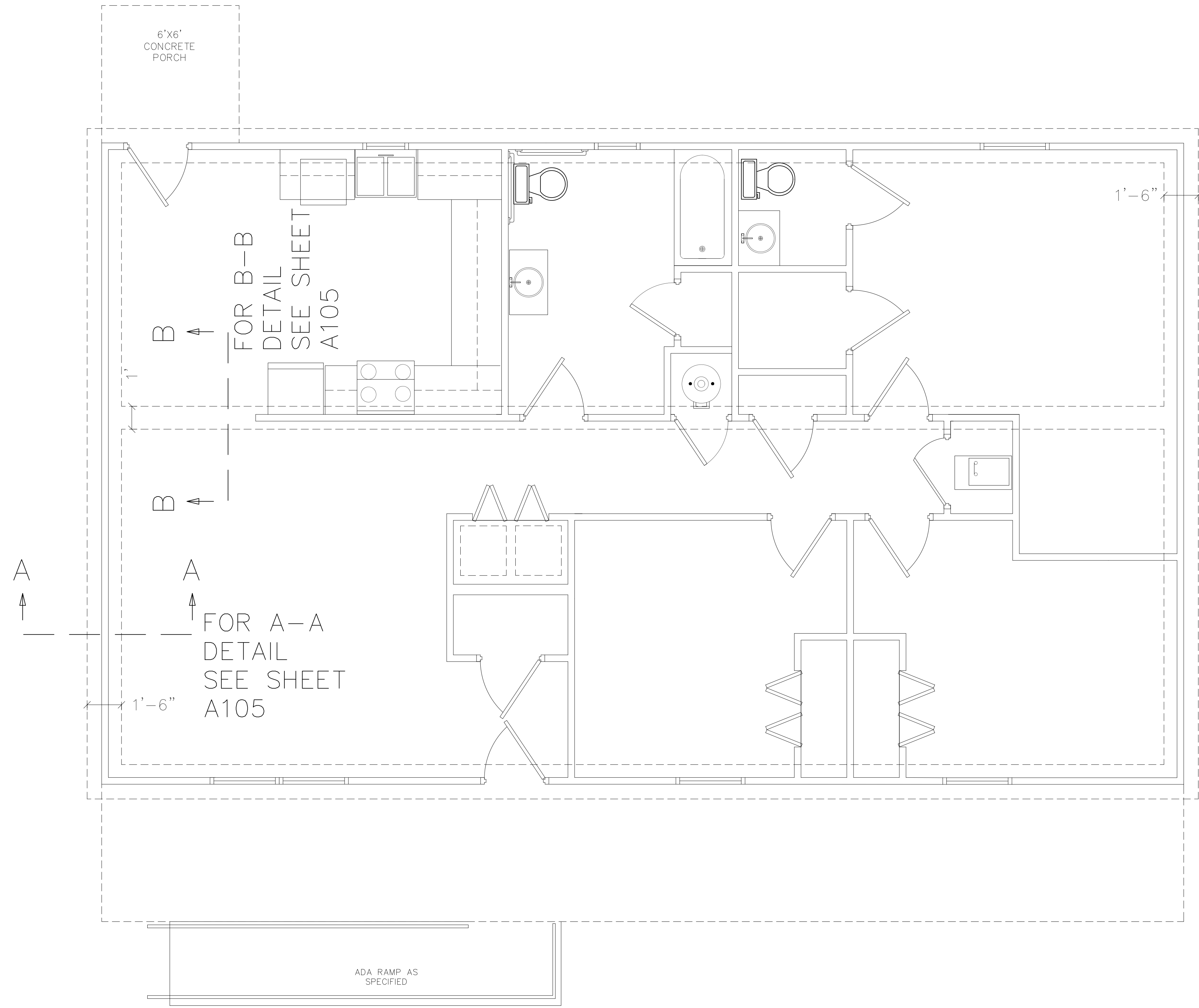
ENGINEER
KAS Gales Company
 Consulting Engineers
 18772 Harmon Road
 Fayetteville, AR 72704
 Wk. 479.361.9977 Cell 479.422.0763
 Email: carl.d.gales@gmail.com

Cherokee Nation
 3 Bedroom Left Living
 Cabinet Elev/HVAC
 1323 Square Feet

CLIENT: Cherokee Nation
 Housing Authority

DESIGNED BY: CDG	APPROVED BY:
DRAWN BY: MDD	DATE PREPARED: June 2022
NO.	REVISION

A103
 SHEET NO.



SCALE
3/8" = 1'



ENGINEER
KAS Gales Company
Consulting Engineers
18772 Harmon Road
Fayetteville, AR 72704
Wk. 479.361.9977 Cell 479.422.0763
Email: carl.d.gales@gmail.com

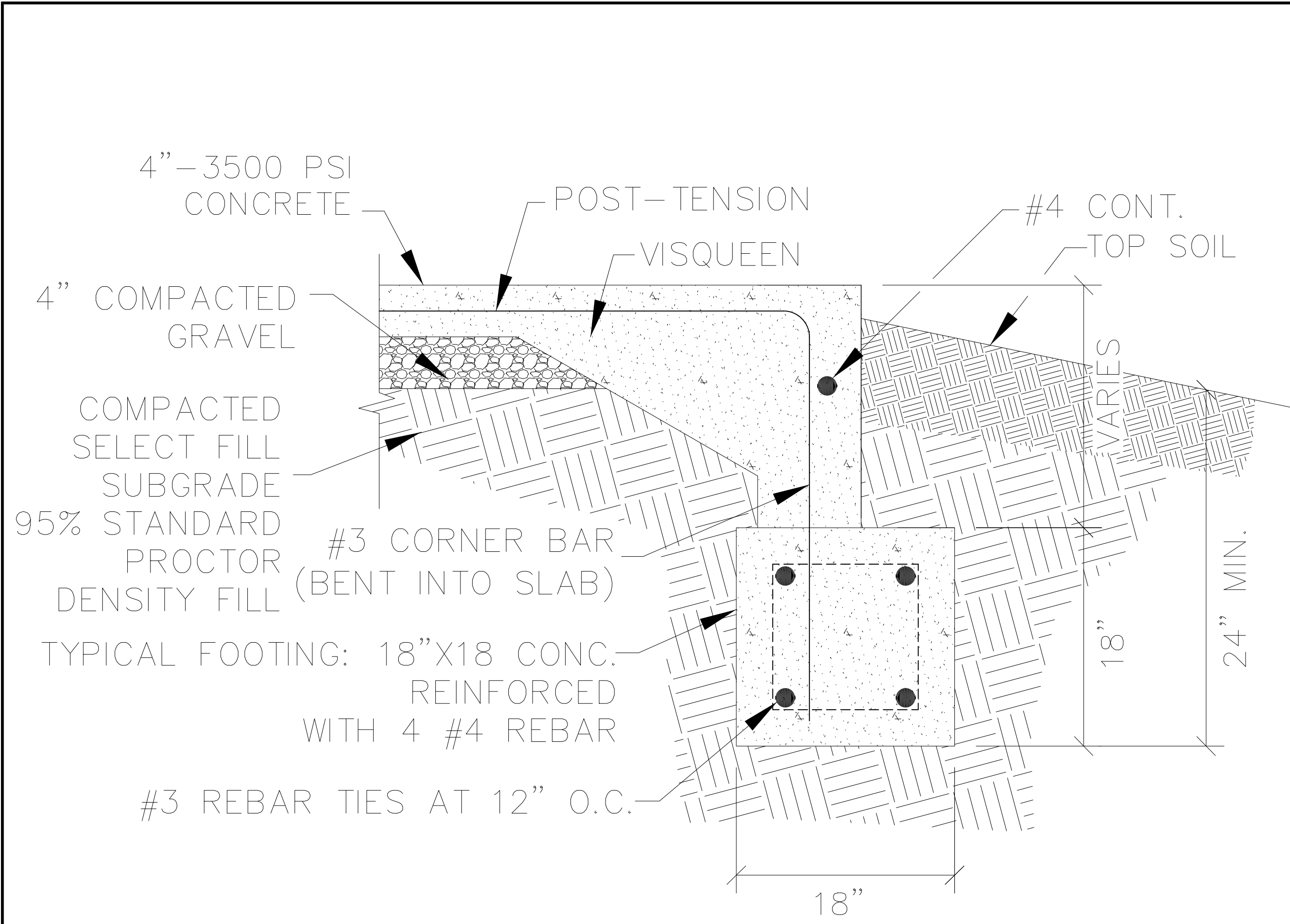
Cherokee Nation
3 Bedroom Left Living
Foundation Plan
1323 Square Feet

CLIENT: Cherokee Nation
Housing Authority

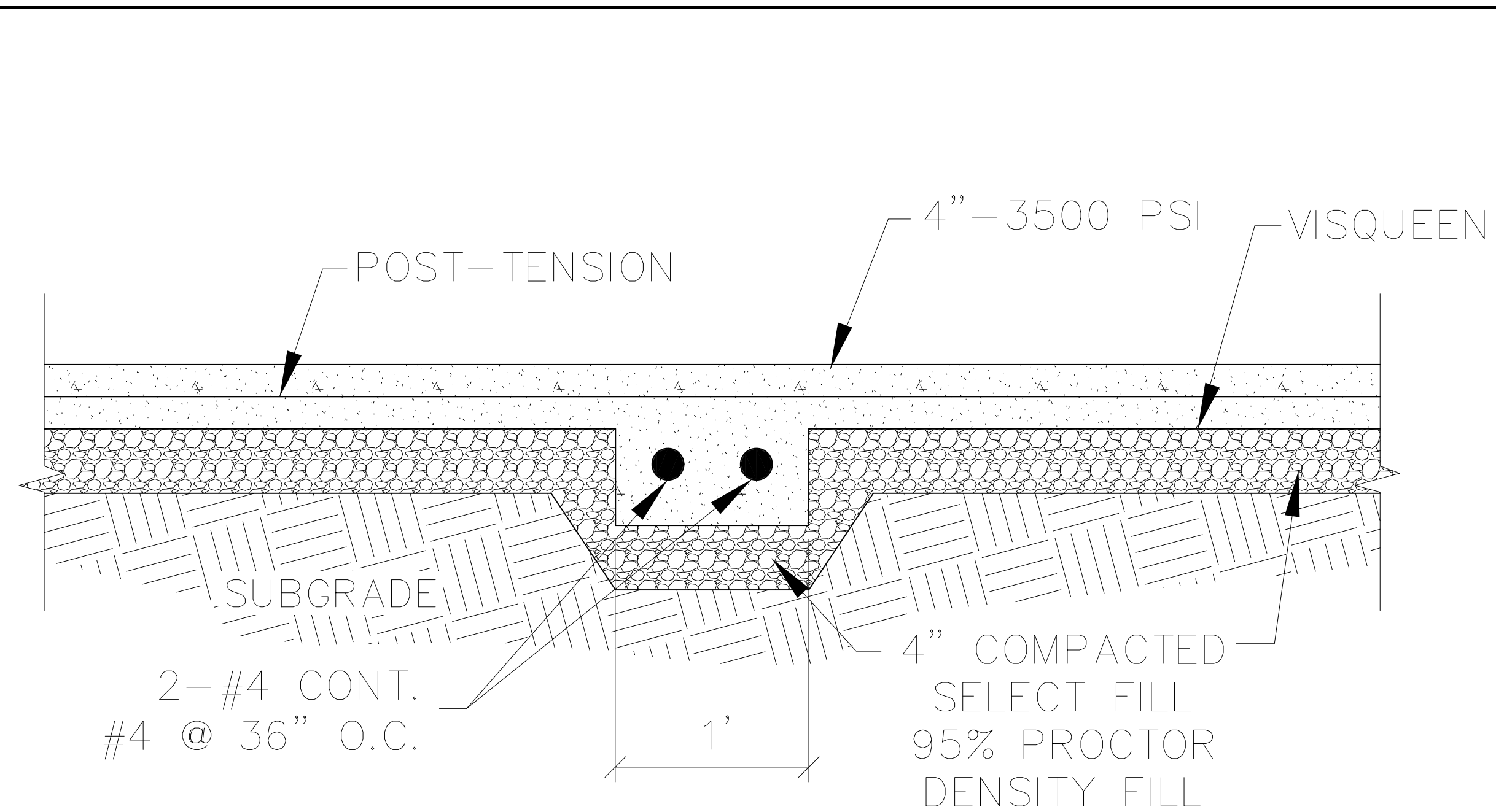
DESIGNED BY: CDG	APPROVED BY:
DRAWN BY: MDD	DATE PREPARED: June 2022

NO.	REVISION	DATE	BY

A104
SHEET NO.

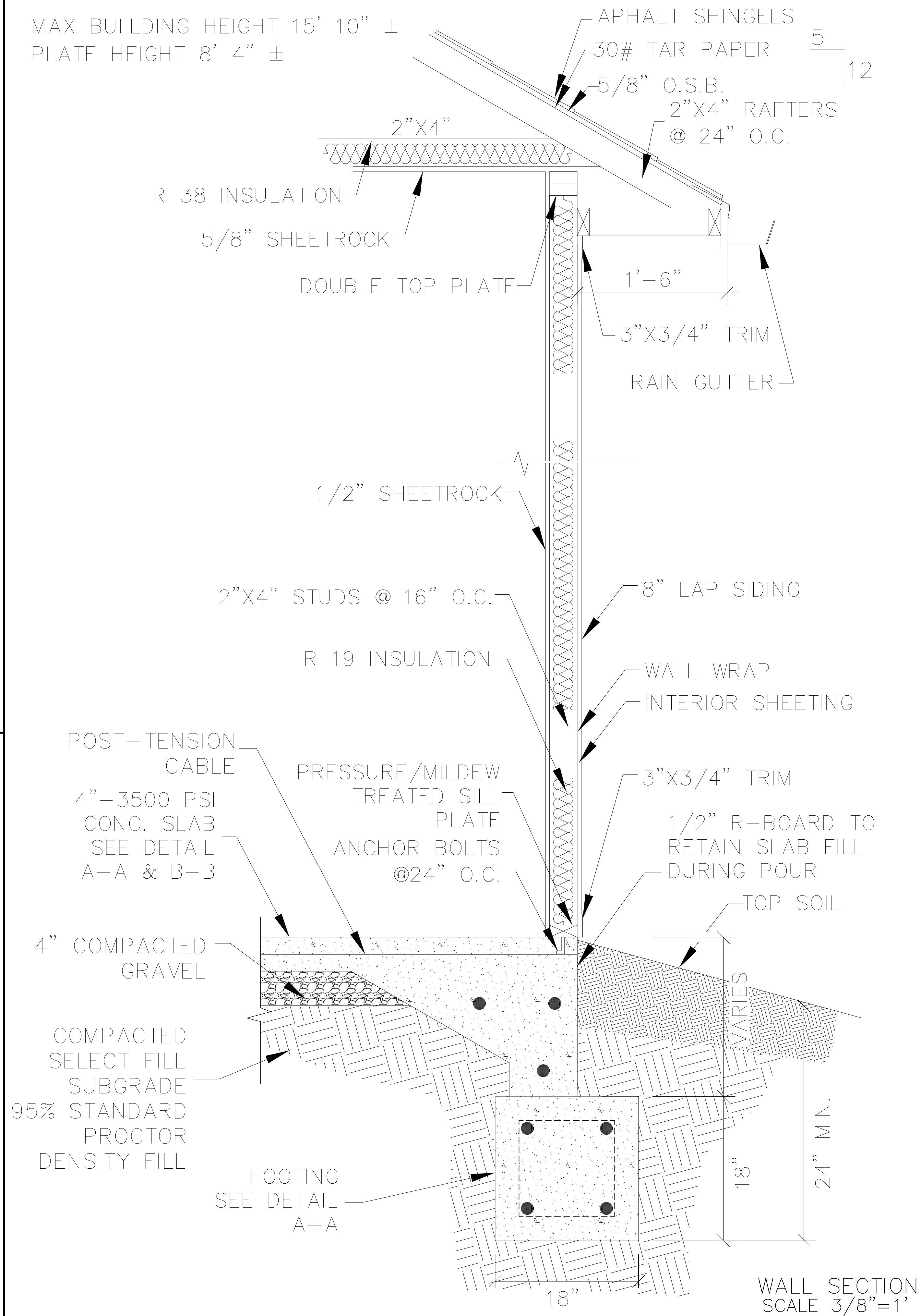


A-A SECTION
FOUNDATION DETAIL
SCALE N.T.S.



B-B SECTION
FOUNDATION DETAIL
SCALE N.T.S.

MAX BUILDING HEIGHT 15' 10" ±
PLATE HEIGHT 8' 4" ±



WALL SECTION
SCALE 3/8"=1'

ENGINEER
KAS Gales Company
Consulting Engineers
18772 Harmon Road
Fayetteville, AR 72704
Wk. 479.361.9977 Cell 479.422.0763
Email: carl.d.gales@gmail.com

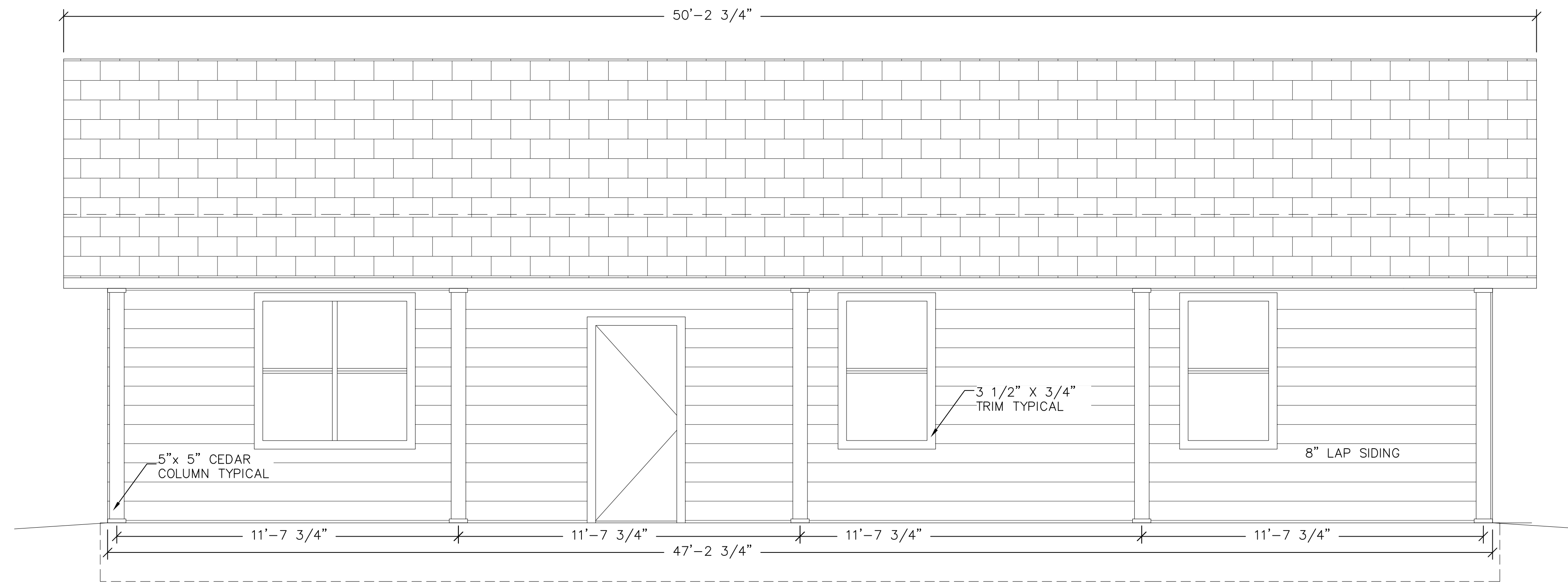


Cherokee Nation
3 Bedroom Left Living
Foundation Details
1323 Square Feet

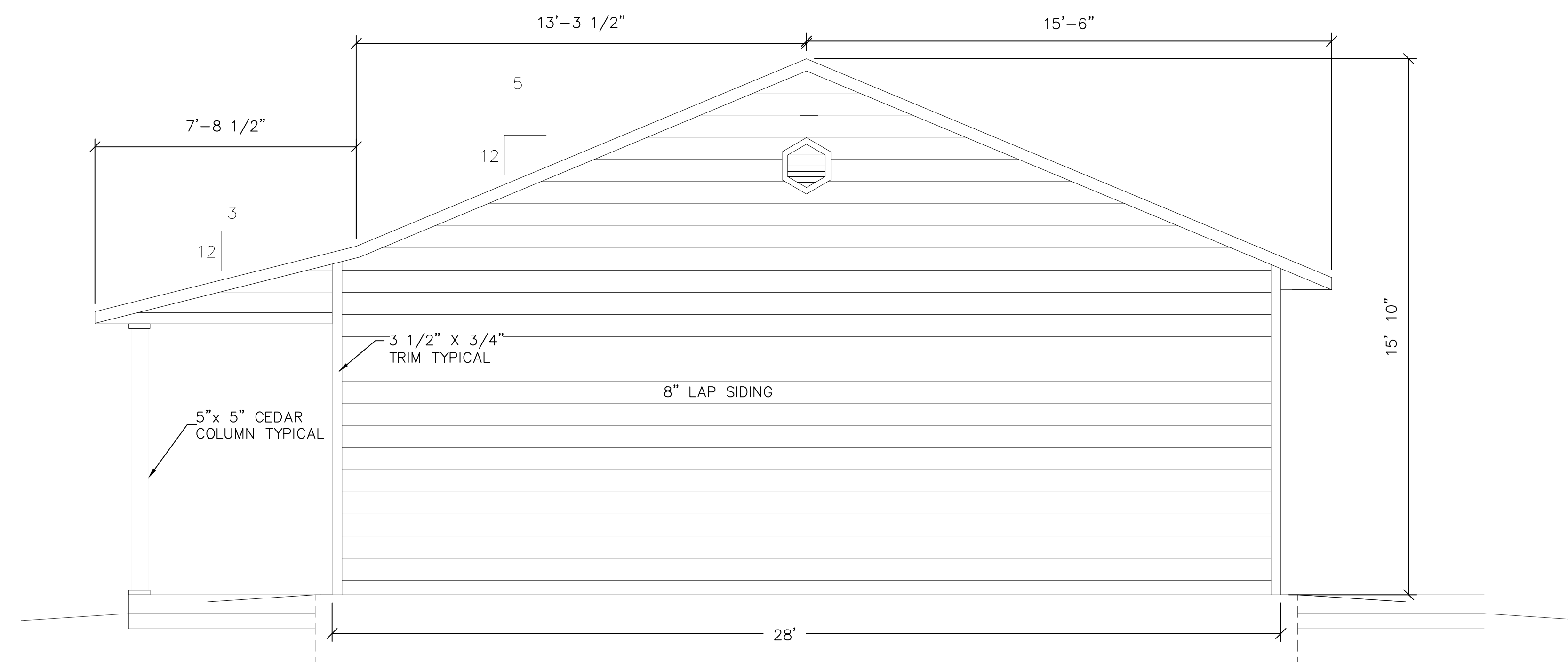
CLIENT: Cherokee Nation
Housing Authority

DESIGNED BY:	APPROVED BY:	DATE PREPARED:
CDG	CDG	June 2022
DRAWN BY:	BY	DATE
MDD		
NO.	REVISION	DATE

A105
SHEET NO.



FRONT ELEVATION



SIDE ELEVATION

SCALE
 $\frac{3}{8}'' = 1'$

ENGINEER
KAS Gales Company
 Consulting Engineers
 18772 Harmon Road
 Fayetteville, AR 72704
 Wk. 479.361.9977 Cell 479.422.0763
 Email: carl.d.gales@gmail.com



Cherokee Nation
 3 Bedroom Left Living
 Elevation Plan
 1323 Square Feet

CLIENT: Cherokee Nation
 Housing Authority

DESIGNED BY:	APPROVED BY:		
CDG	CDG		
DRAWN BY:	DATE PREPARED:		
MDD	June 2022		
NO.	REVISION	DATE	BY

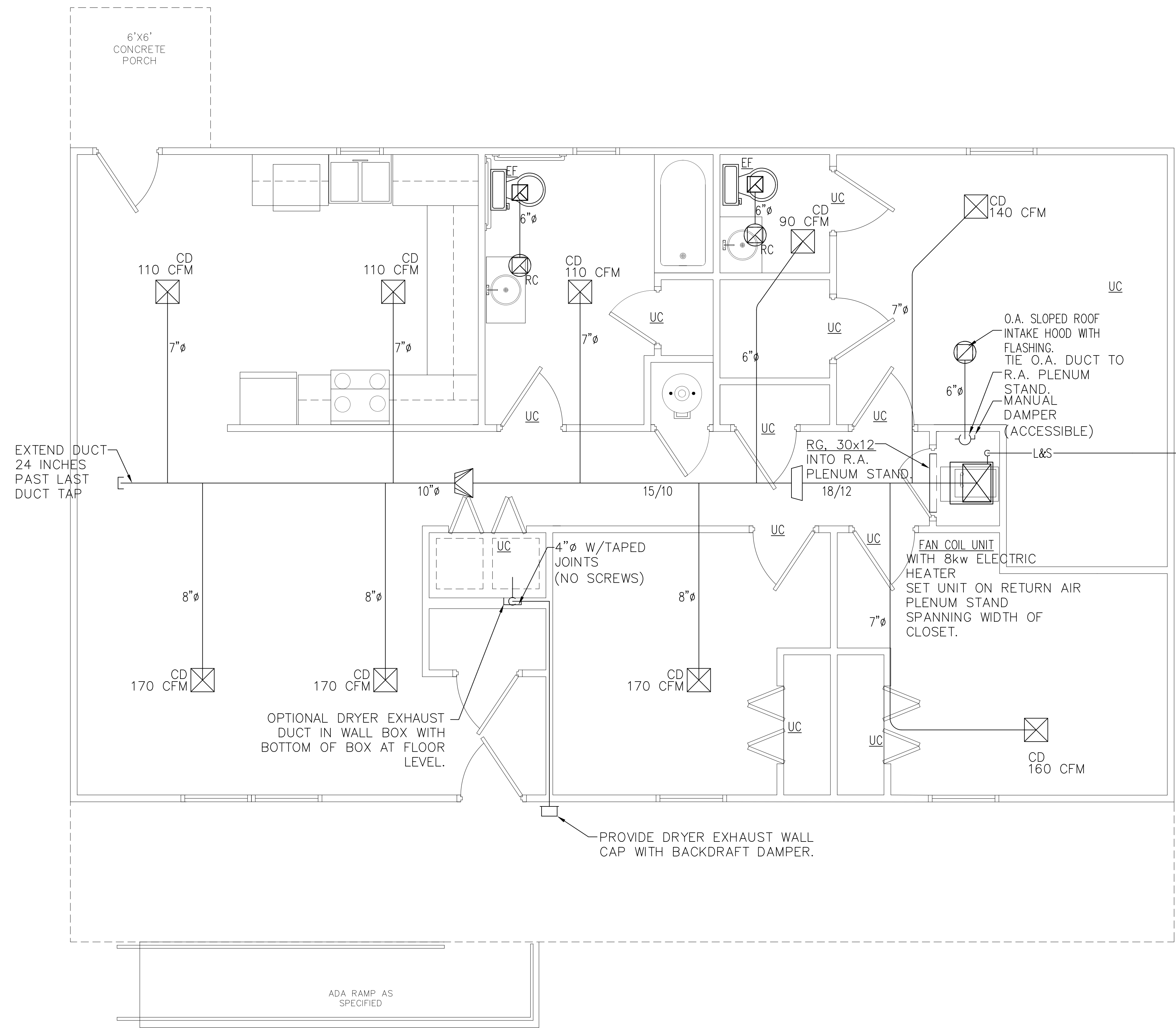
A106
 SHEET NO.

Cherokee Nation
3 Bedroom Left Living
HVAC Plan
1323 Square Feet

CLIENT: Cherokee Nation
 Housing Authority

DESIGNED BY:	APPROVED BY:
DRAWN BY:	DATE PREPARED:
BY	DATE
NO.	REVISION

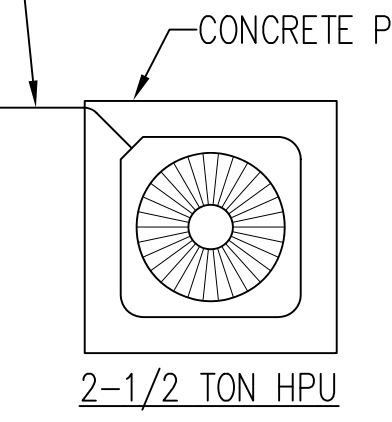
M101
 SHEET NO.



NOTE:
 1. VERIFY HEAT SOURCE WITH CONSTRUCTOR. (GAS, ELECTRIC RESISTANCE, OR AIR TO AIR HEAT PUMP)

2. PROVIDE FLUE AND COMBUSTION AIR DUCTING FOR GAS FIRED FURNACE.

ROUTE LIQUID AND SUCTION REFRIGERANT PIPING TO COOLING COIL AT FURNACE.



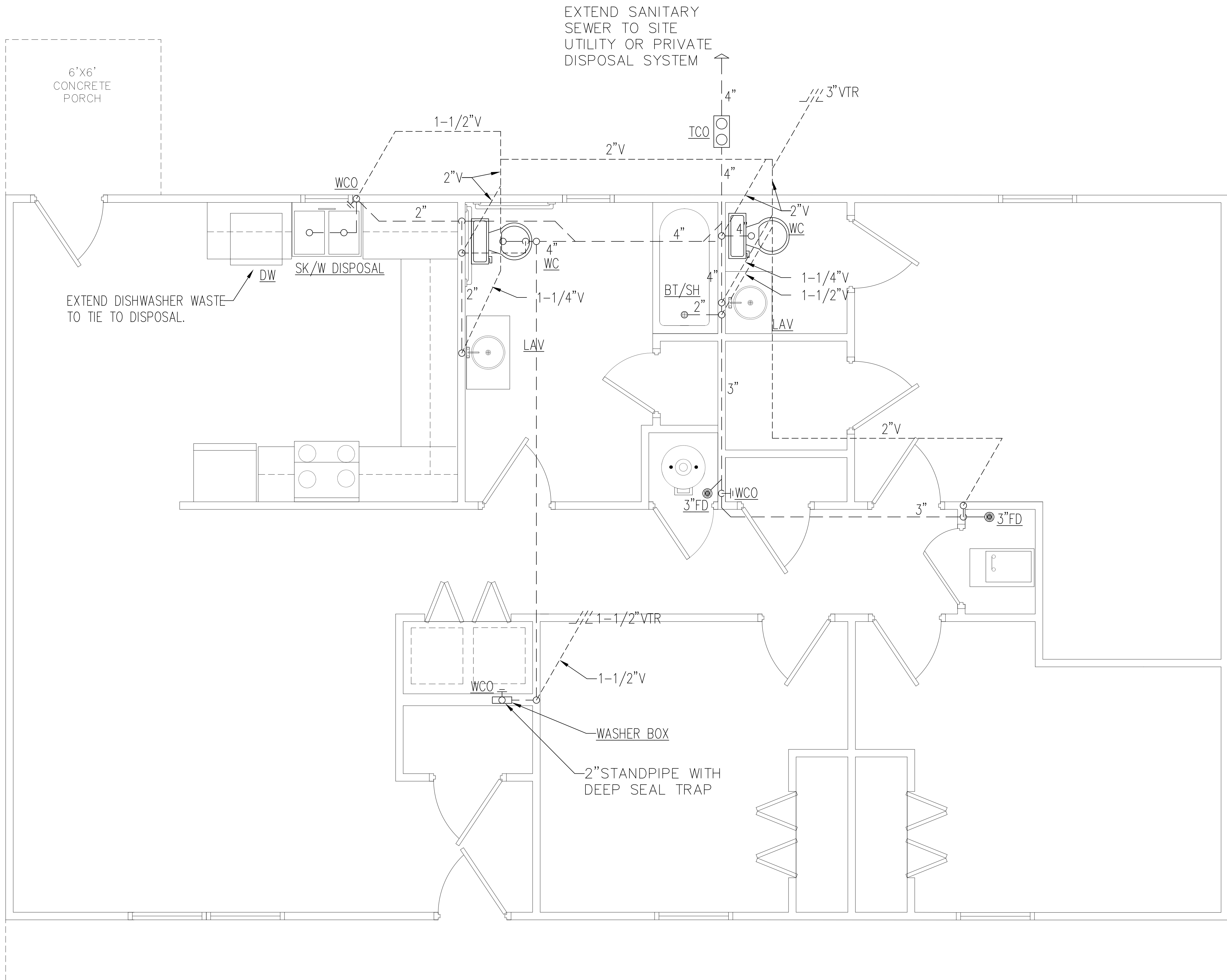
CONDENSING UNIT (HEAT PUMP)
 ROUTE REFRIGERANT PIPING UP TO ATTIC SPACE.
 (42,000 BTUH)
 3-1/2 TON

AIR DEVICES – HART & COOLEY OR EQUAL
 CEILING DIFFUSERS TYPE 500
 6x6 75 CFM OR LESS
 8x8 75-120 CFM
 10x10 120-175 CFM
 12x12 175-300 CFM

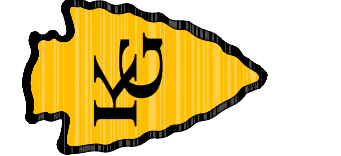
SIDEWALL FURNACE (FAN COIL) RETURN GRILLE TYPE 672
 30x12 800 CFM (2T)
 30x18 1200 CFM (3T)
 30x24 1600 CFM (4T)

UC = UNDERCUT DOOR

SCALE
 3/8" = 1'



ENGINEER
KAS Gales Company
 Consulting Engineers
 18772 Harmon Road
 Fayetteville, AR 72704
 Wk. 479.361.9977 Cell 479.422.0763
 Email: can.d.gales@gmail.com



Cherokee Nation
 3 Bedroom Left Living
 Waste and Vent Plumbing
 Plan
 1323 Square Feet

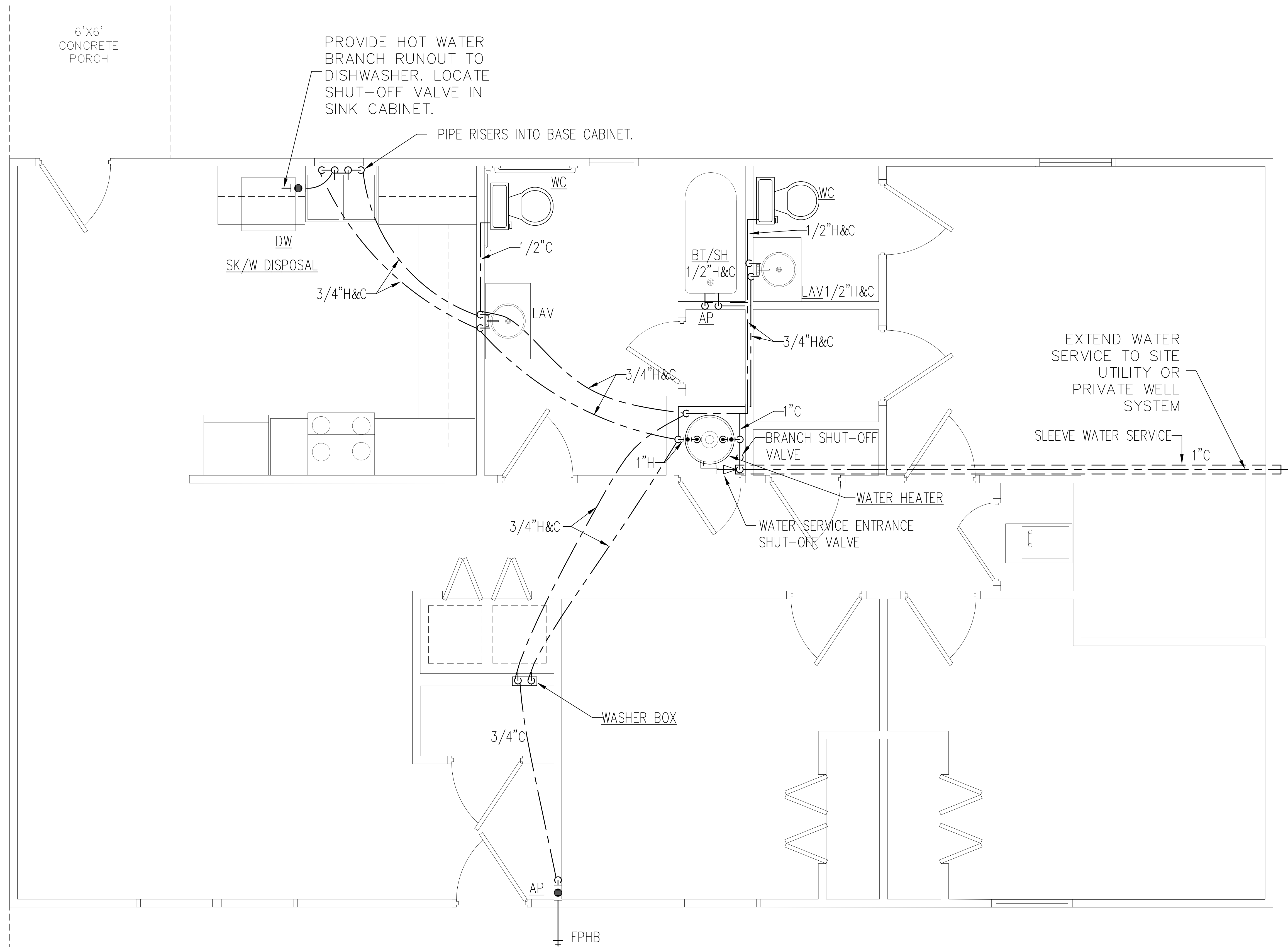
CLIENT: Cherokee Nation
 Housing Authority

DESIGNED BY:	CDG	APPROVED BY:	CDG
DRAWN BY:	MDD	DATE PREPARED:	June 2022
NO.	REVISION	DATE	BY

P101

SHEET NO.

SCALE
 1/2" = 1'



SCALE
1/2" = 1'

ENGINEER
KAS Gales Company
 Consulting Engineers
 18772 Harmon Road
 Fayetteville, AR 72704
 Wk. 479.361.9977 Cell 479.422.0763
 Email: carl.d.gales@gmail.com



Cherokee Nation
 3 Bedroom Left Living
 Domestic Water Plan
 1323 Square Feet

CLIENT: Cherokee Nation
 Housing Authority

DESIGNED BY:	APPROVED BY:
DRAWN BY:	DATE PREPARED:
BY	June 2022
DATE	
REVISION	
NO.	

P102
 SHEET NO.

NOTE:
SMOKE DETECTORS TO
BE INSTALLED ON THE
WALL 12 INCHES FROM
CEILING PER NFPA

ENGINEER

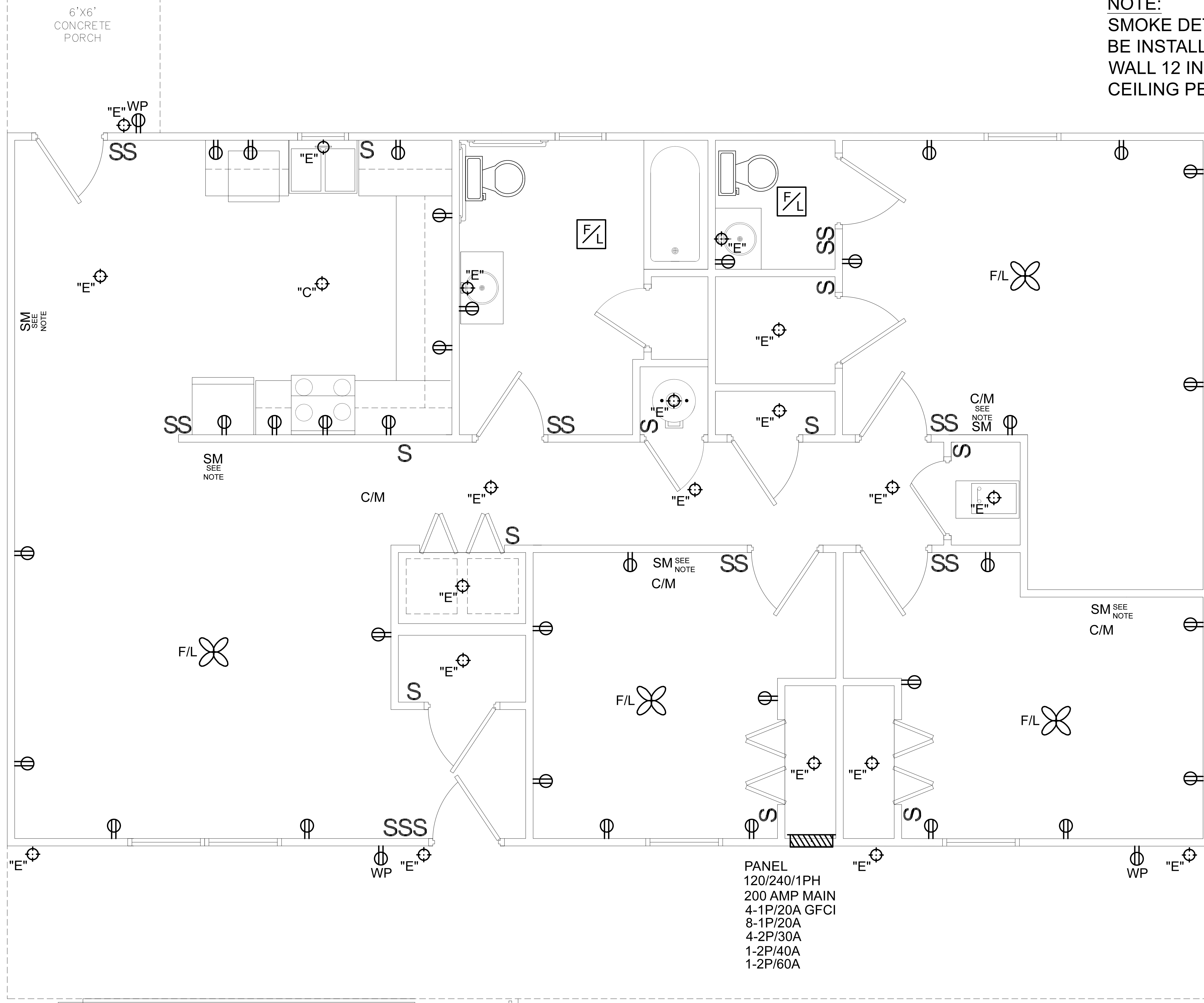
KAS Gales Company
Consulting Engineers
18772 Harmon Road
Fayetteville, AR 72704
Wk. 479.361.9977 Cell 479.422.0763
Email: carl.d.gales@gmail.com



Cherokee Nation
3 Bedroom Left Living
Electrical Plan
1323 Square Feet

CLIENT: Cherokee Nation
Housing Authority

DESIGNED BY:	APPROVED BY:
DRAWN BY:	DATE PREPARED:
MDD	June 2022



NO.	REVISION	DATE	BY

E101
SHEET NO.

SCALE
1/2" = 1'