



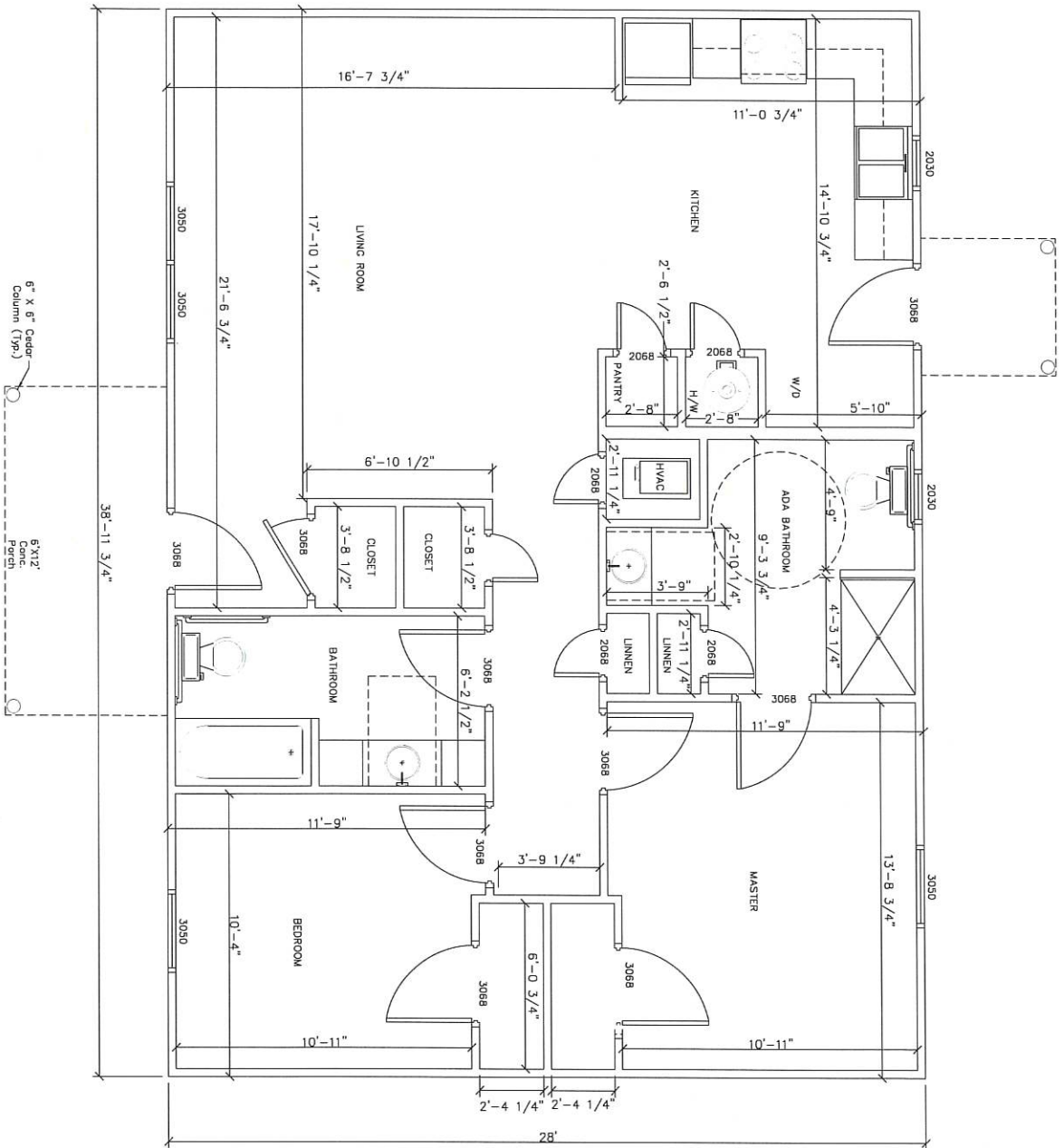
PLANS FOR
2 BEDROOM ADA WITH
Brick Exterior
 1091 SQUARE FOOT

SHEET INDEX


SHEET NO.	DESCRIPTION
A101	TITLE SHEET
A102	FLOOR PLAN
A103	CABINET ELEV./HVAC CLOSET FRAMING
A104	FOUNDATION PLAN
A105	FOUNDATION PLAN DETAILS/WALL SECTION DETAIL
A106	ELEVATIONS - GABLE
M101	HVAC PLANS
P101	WASTE AND VENT PLUMBING PLANS
P102	DOMESTIC WATER PLANS
E101	ELECTRICAL PLAN

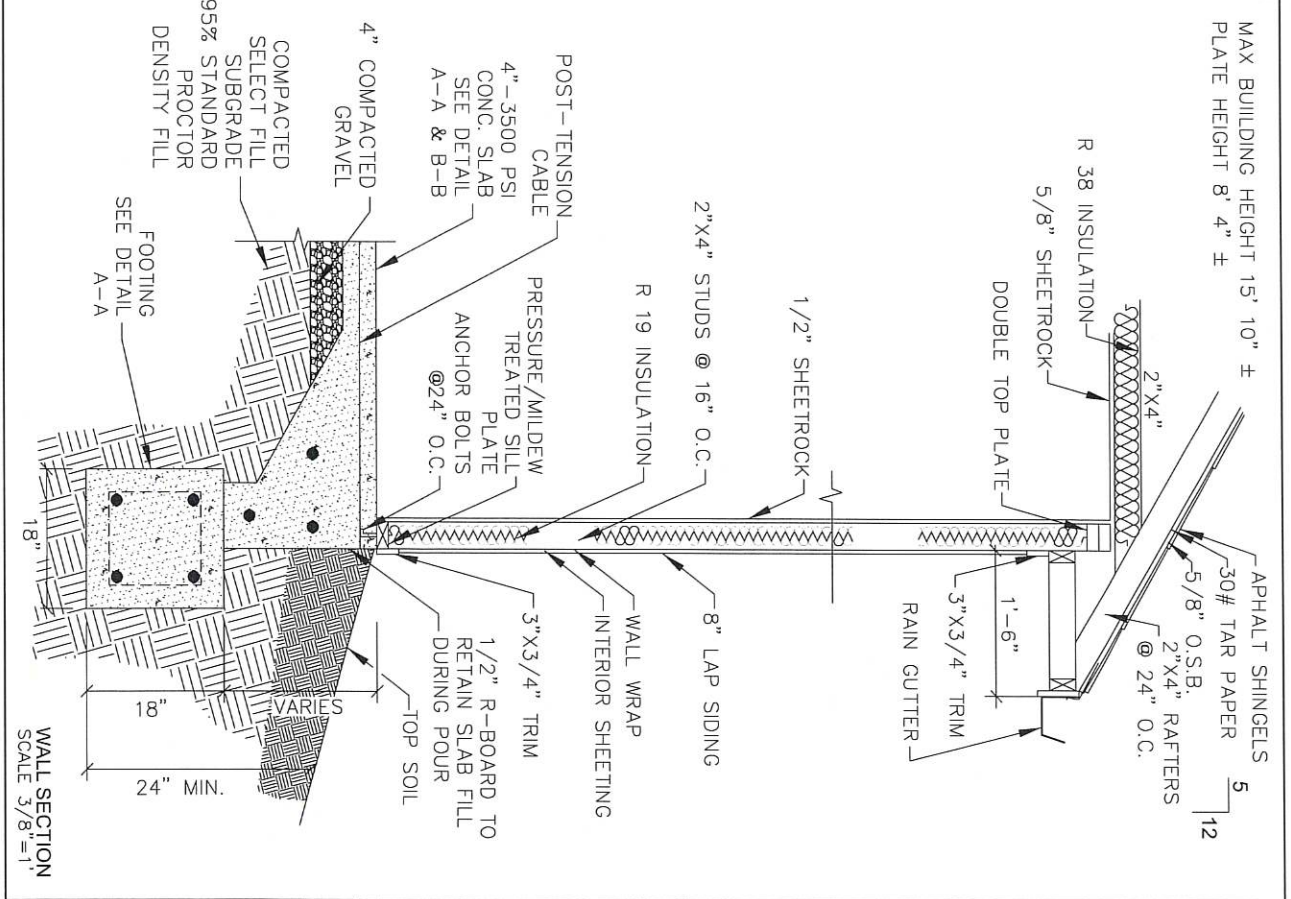
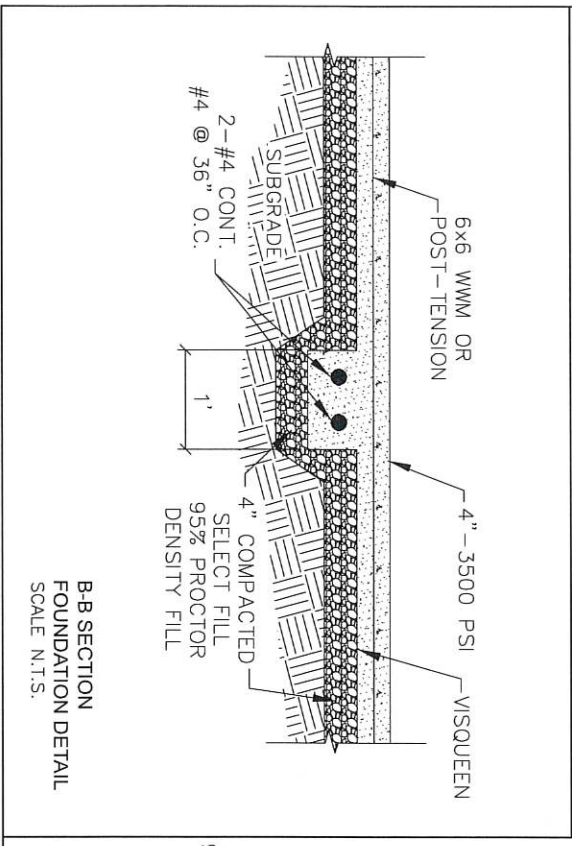
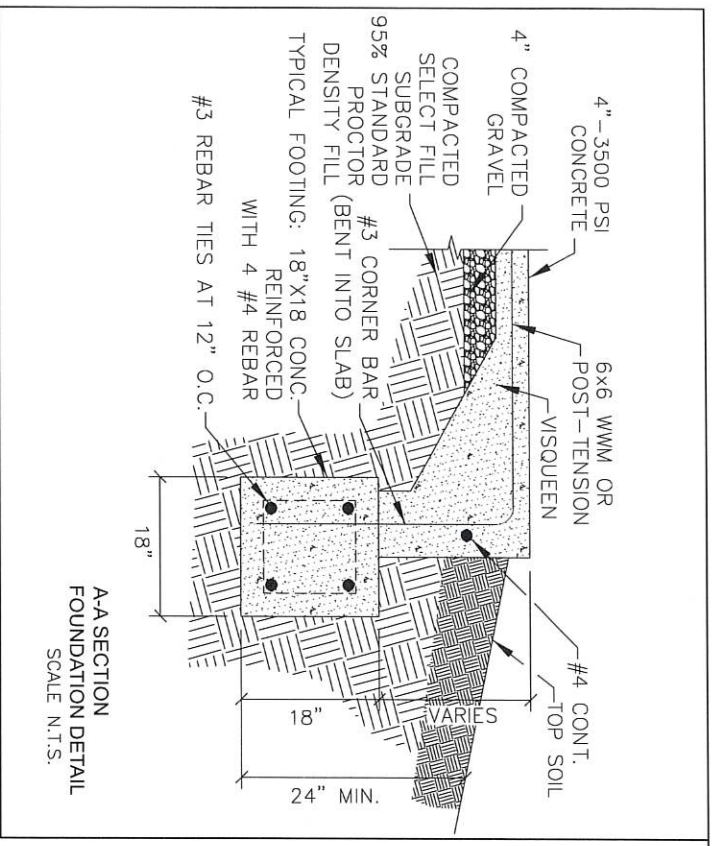
Cherokee Nation 2 Bedroom Title Sheet 1091 Square Feet				ENGINEER KAS Gales Company Consulting Engineers 18772 Harmon Road Fayetteville, AR 72704 Wk. 479.361.5977 Cell 479.422.0763 Email: carl.d.gales@gmail.com	
				CLIENT: Cherokee Nation Housing Authority	
DESIGNED BY:		APPROVED BY:		A101 SHEET NO.	
DRAWN BY:		DATE PREPARED:			
NO.	REVISION	DATE	BY	MDM	Mar. 2022


1091 SQ. FEET



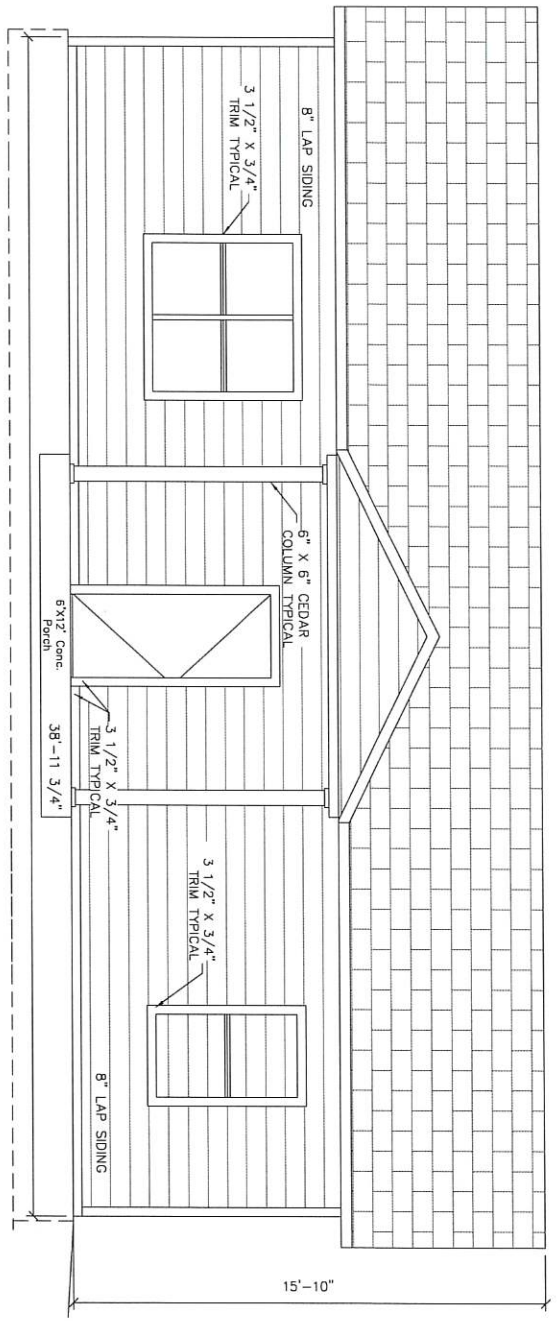
SCALE
1/2" = 1'

<p>Cherokee Nation 2 Bedroom Floor Plan 1091 Square Feet</p>		 <p>ENGINEER KAS Gales Company Consulting Engineers 18772 Harmon Road Fayetteville, AR 72704 Wk. 479.361.5977 Cell 479.422.0763 Email: carl.d.gales@gmail.com</p>	
<p>CLIENT: Cherokee Nation Housing Authority</p>			
DESIGNED BY:	CSC	APPROVED BY:	
DRAWN BY:	MDP	DATE PREPARED:	Mar 2022
NO.	REVISION	DATE	BY
<p>A102 SHEET NO.</p>			

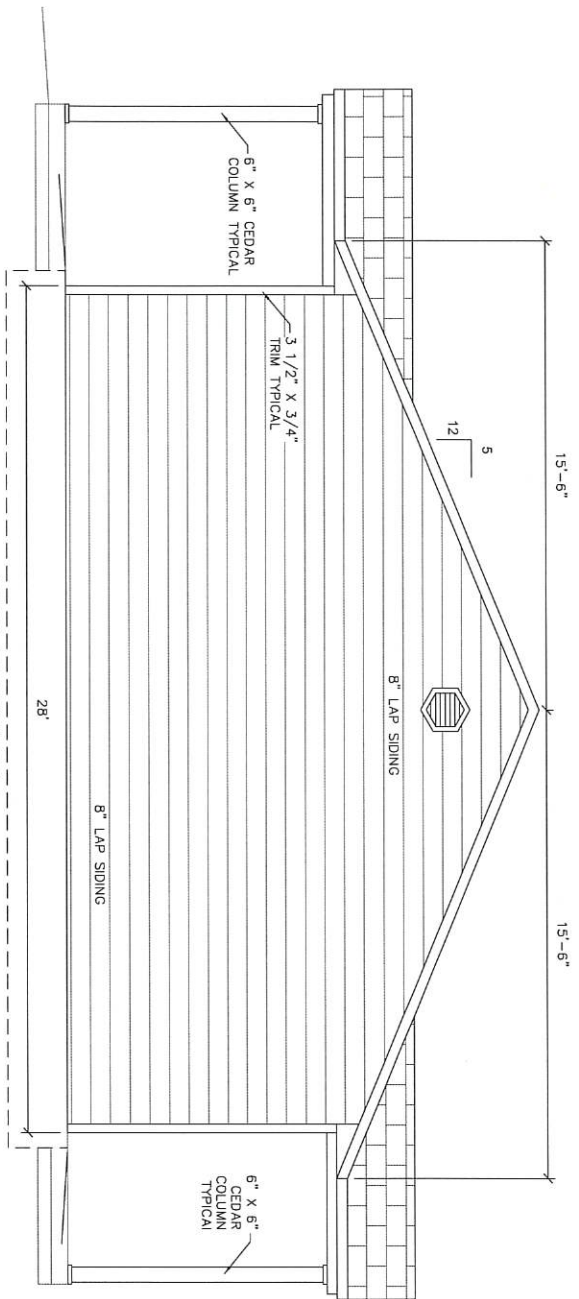


<p>Cherokee Nation 2 Bedroom Foundation Details 1091 Square Feet</p>		 <p>ENGINEER KAS Gales Company Consulting Engineers 18772 Harmon Road Fayetteville, AR 72704 Wk. 479.361.5977 Cell 479.422.0763 Email: carl.d.gales@gmail.com</p>
<p>CLIENT: Cherokee Nation Housing Authority</p>		
DESIGNED BY:	APPROVED BY:	<p>NO. REVISION</p>
DRAWN BY:	DATE PREPARED:	
SHD	Nov 2022	<p>DATE BY</p>
<p>A105 SHEET NO.</p>		<p>NO. REVISION</p>

Brick Exterior




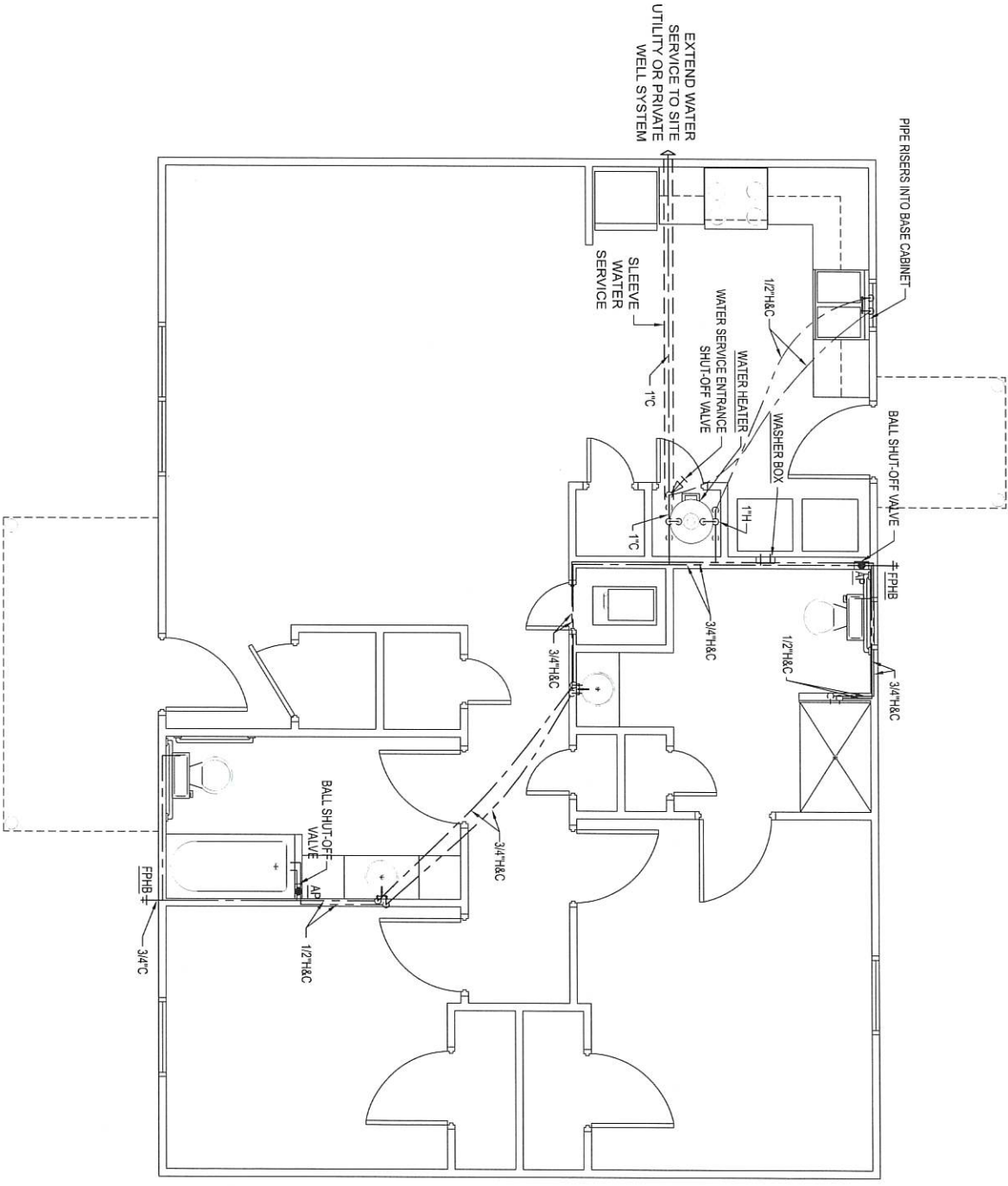
FRONT ELEVATION




SIDE ELEVATION

SCALE
1/2" = 1'

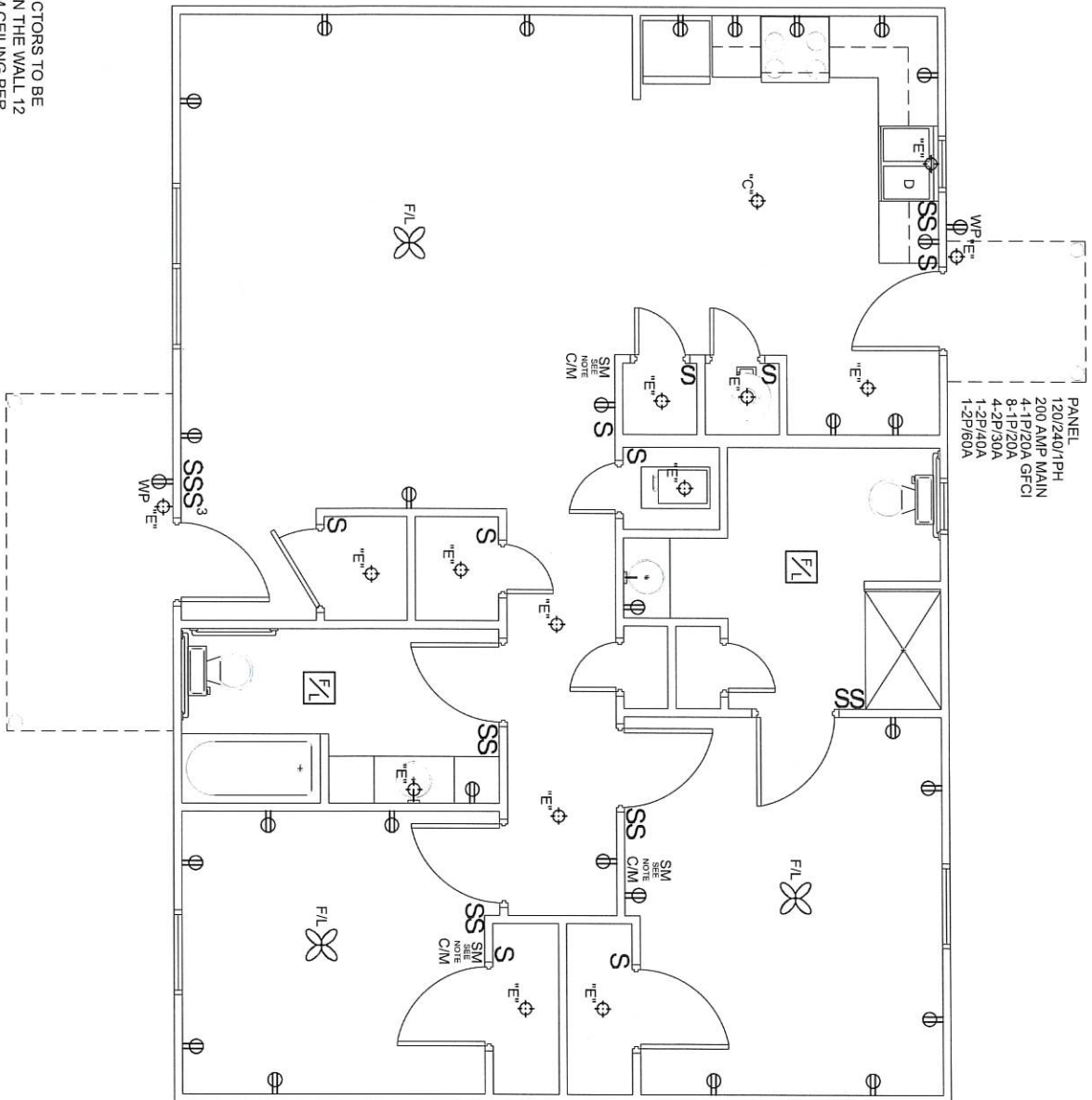
<p>Cherokee Nation 2 Bedroom Gable Elevation 1091 Square Feet</p>		 <p>ENGINEER KAS Gales Company Consulting Engineers 18772 Harmon Road Fayetteville, AR 72704 Wk. 479.361.5977 Cell 479.422.0763 Email: carl.d.gales@gmail.com</p>			
<p>CLIENT: Cherokee Nation Housing Authority</p>					
NO.	REVISION	DATE	BY	DESIGNED BY	APPROVED BY:
				SHDD	CDG
					DATE PREPARED:
					Mar 2022
<p>A106 SHEET NO.</p>					




SCALE
1/2" = 1'

<p>P102 SHEET NO.</p>		<p>Cherokee Nation 2 Bedroom Domestic Water Plan 1091 Square Feet</p>		 <p>ENGINEER KAS Gales Company Consulting Engineers 18772 Harmon Road Fayetteville, AR 72704 Wk. 479.361.5977 Cell 479.422.0763 Email: carl.d.gales@gmail.com</p>	
		<p>CLIENT: Cherokee Nation Housing Authority</p>			
NO.	REVISION	DATE	BY	DESIGNED BY: CDE	APPROVED BY: CDE
				DRAWN BY: MDD	DATE PREPARED: Mar. 2022

NOTE:
SMOKE DETECTORS TO BE
INSTALLED ON THE WALL 12
INCHES FROM CEILING PER
NFPA



SCALE
1/2" = 1'

<p>E101 SHEET NO.</p>		<p>Cherokee Nation 2 Bedroom Electrical Plan 1091 Square Feet</p>		 <p>ENGINEER KAS Gales Company Consulting Engineers 16772 Harmon Road Fayetteville, AR 72704 Wk. 479.361.5977 Cell 479.422.0763 Email: carl.d.gales@gmail.com</p>	
		<p>CLIENT: Cherokee Nation Housing Authority</p>			
NO.	REVISION	DATE	BY	DESIGNED BY: CDEG	APPROVED BY: CDEG
				DRAWN BY: MDD	DATE PREPARED: Mar. 2022