



PLANS FOR  
 2 BEDROOM ADA RIGHT GARAGE  
 AND SIDING  
 1486 SQUARE FOOT

SHEET INDEX

SHEET NO.	DESCRIPTION
A101	TITLE SHEET
A102	FLOOR PLAN
A103	CABINET ELEV./HVAC CLOSET FRAMING
A104	FOUNDATION PLAN
A105	FOUNDATION PLAN DETAILS/WALL SECTION DETAIL
A106	ELEVATIONS – GABLE
M101	HVAC PLANS
P101	WASTE AND VENT PLUMBING PLANS
P102	DOMESTIC WATER PLANS
P103	ISOMETRIC PLUMBING PLAN
E101	ELECTRICAL PLAN



**ENGINEER**  
 KAS Gales Company  
 Consulting Engineers  
 18772 Harmon Road  
 Fayetteville, AR 72704  
 Wk. 479.361.9977 Cell 479.422.0763  
 Email: carl.d.gales@gmail.com

Cherokee Nation  
 2 Bedroom ADA Right Garage  
 Title Sheet  
 1486 Square Feet

CLIENT: Cherokee Nation  
 Housing Authority

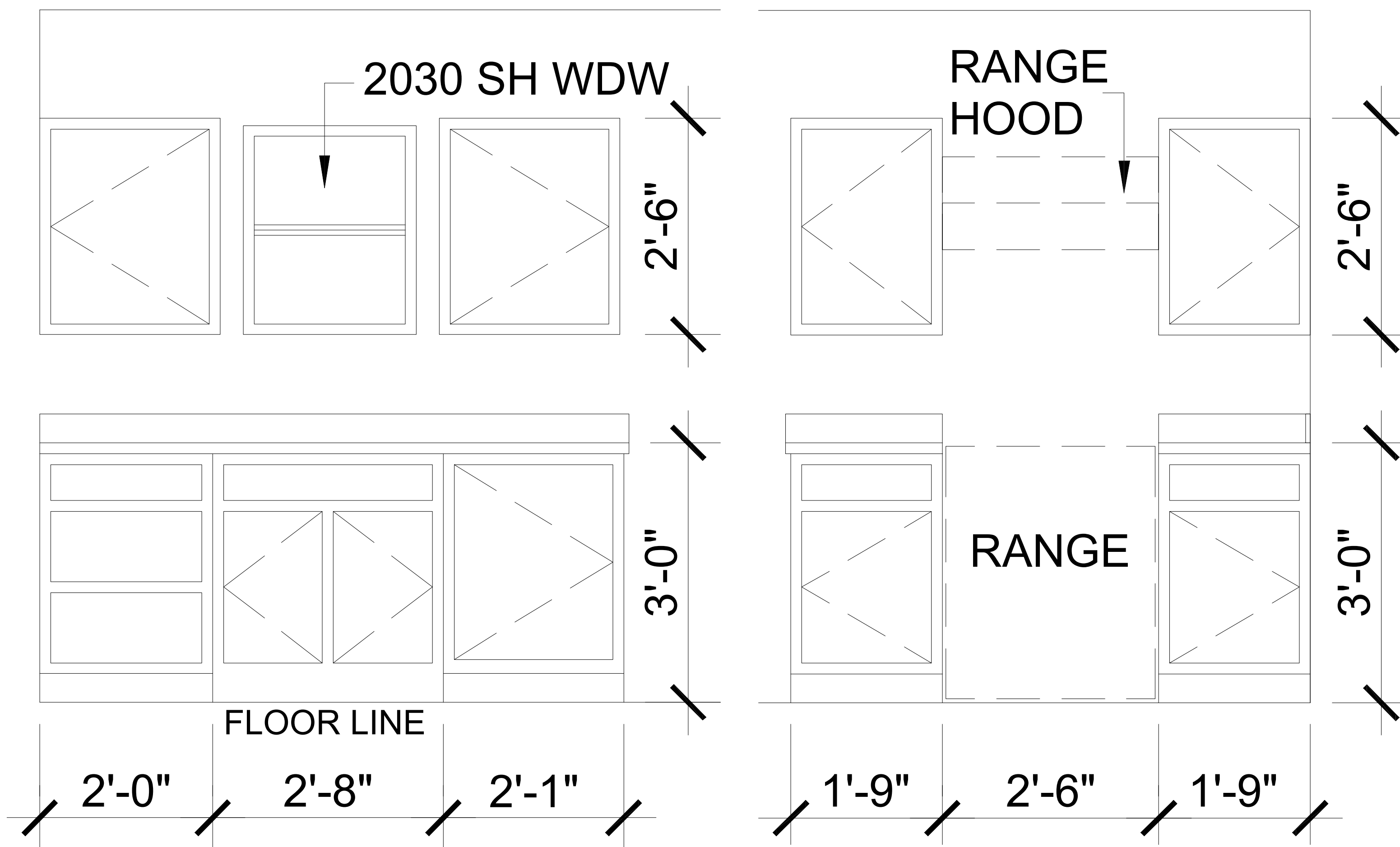
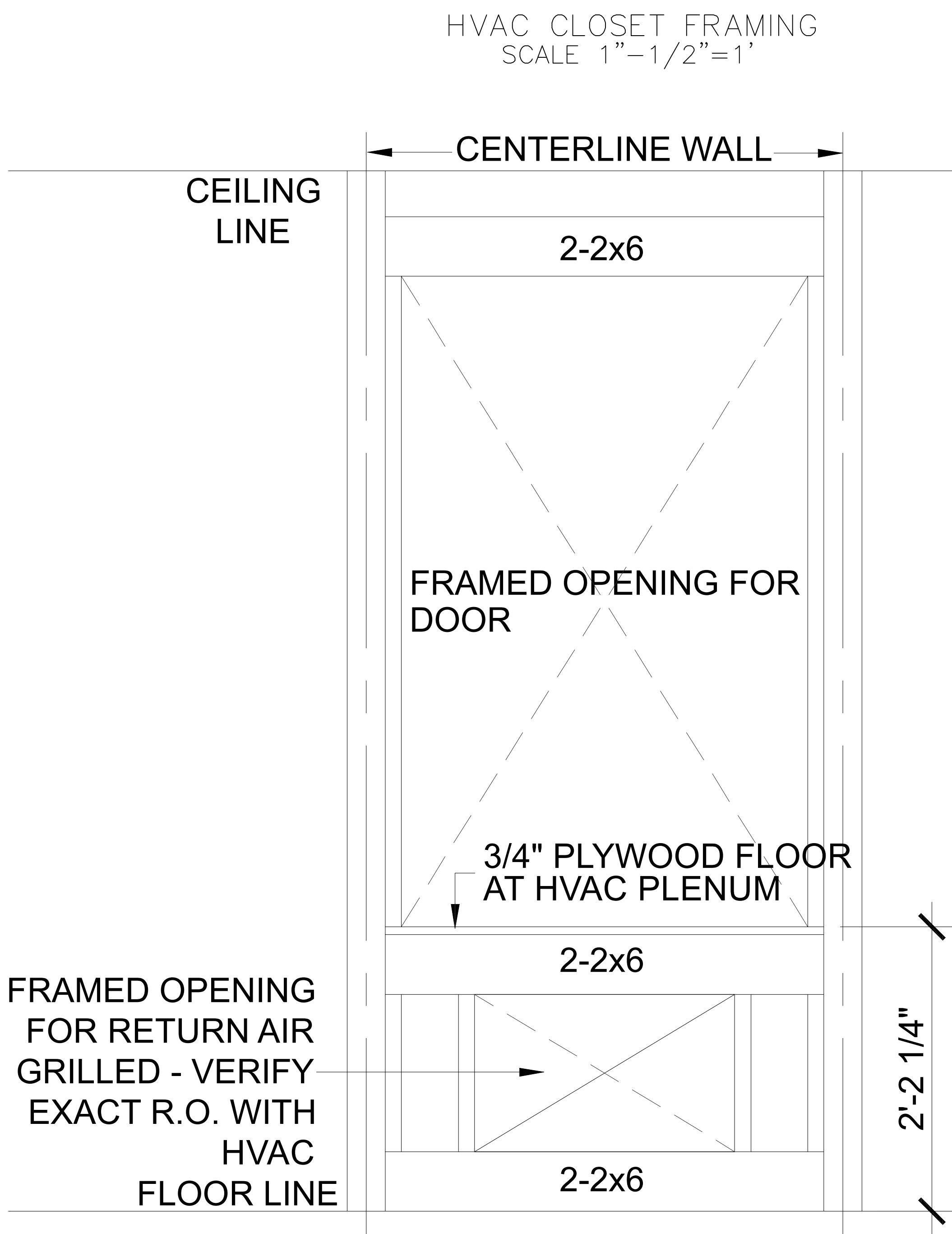
DESIGNED BY:	APPROVED BY:		
MDD	CDG		
DRAWN BY:	DATE PREPARED:		
MDD	June 2022		
NO.	REVISION	DATE	BY

**A101**  
 SHEET NO.

**ISSUED FOR CONSTRUCTION  
 JUNE 17, 2022**








CABINET ELEVATION  
SCALE 1"=1/2"=1'

**ENGINEER**  
**KAS Gales Company**  
 Consulting Engineers  
 18772 Harmon Road  
 Fayetteville, AR 72704  
 Wk. 479.361.9977 Cell 479.422.0763  
 Email: carl.d.gales@gmail.com



Cherokee Nation  
 2 Bedroom ADA Right Garage  
 Cabinet Elev/HVAC  
 1486 Square Feet

CLIENT: Cherokee Nation  
 Housing Authority

DESIGNED BY:	APPROVED BY:
DRAWN BY:	DATE PREPARED:
NO.	REVISION
BY	DATE
MDD	June 2022

**A103**  
 SHEET NO.



















