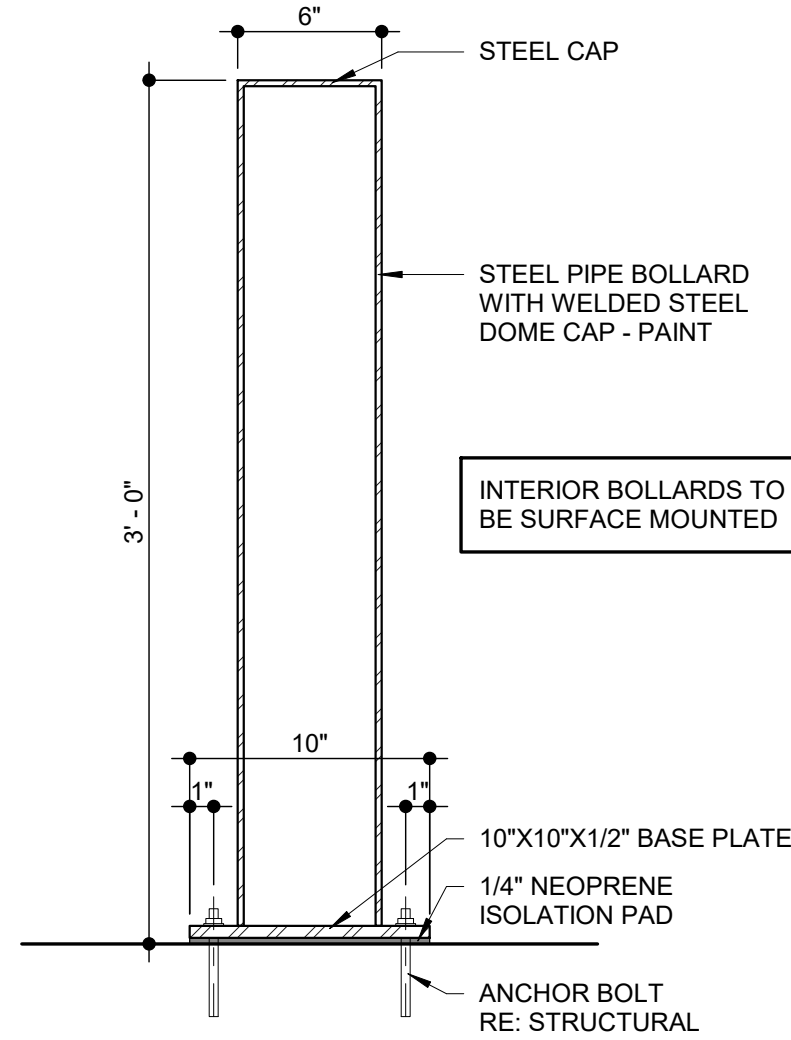
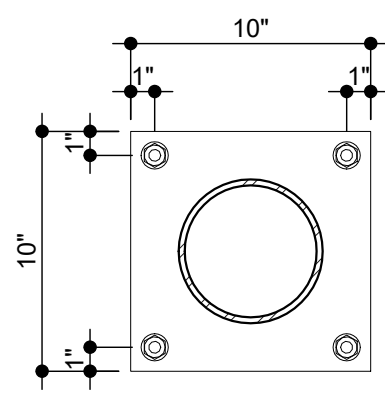


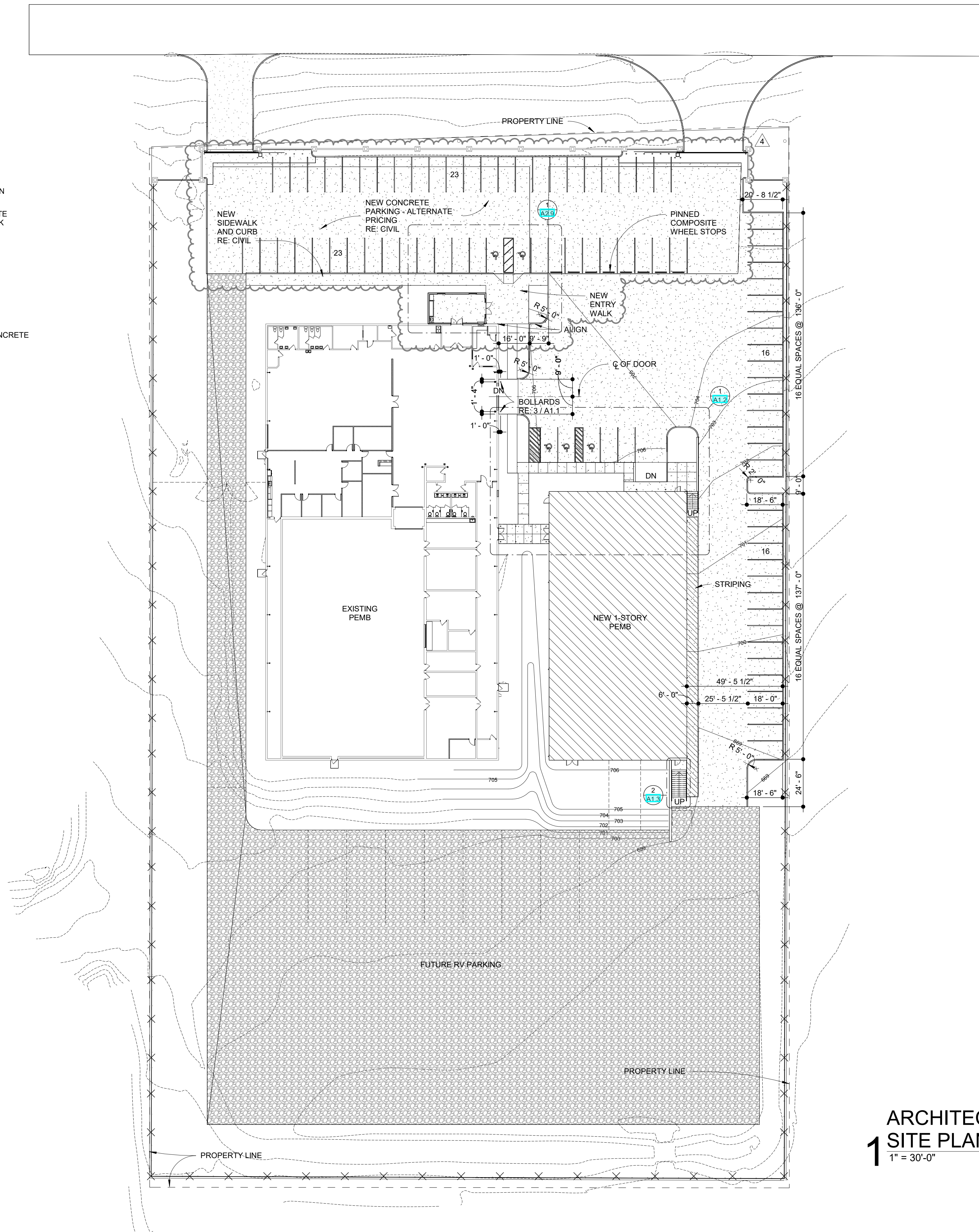
**3** BOLLARD SECTION - EMBEDDED

1 1/2" = 1'-0" 0 4" 8" 1'-4"



**2** BOLLARD SECTION - SURFACE MOUNT

1 1/2" = 1'-0"



**1** ARCHITECTURAL SITE PLAN

1" = 30'-0"

0 30' 60'



Cherokee Nation Businesses  
**CNFO Owasso Campus  
Improvements Phase II**

16990 East 116th Street North Owasso, Oklahoma 74055

REVISIONS

4 CCD#1 10.02.23

DATE 02.13.23

SHEET Architectural Site Plan

**A1.1**