







**ENGINEER**  
 KAS Gales Company  
 Consulting Engineers  
 18772 Harmon Road  
 Fayetteville, AR 72704  
 Wk. 479.361.9977  
 Cell 479.422.0763  
 Email:  
 carl.d.gales@gmail.com

**PROJECT:**

4 Bedroom Option  
 Right Gable Roof  
 1660 Square Foot

**CLIENT:**

Housing Authority  
 of the Cherokee Nation  
 1500 Hensley Drive  
 Tahlequah, Oklahoma  
 74465-1007

**SHEET:**

HVAC and Cabinet  
 Elevation

**APPROVED BY:**

CDG

**DATE PREPARED:**

March 2023

**DESIGNED BY:**

MDD

**DRAWN BY:**

MDD

**CHECKED BY:**

**DATE:**

**NO. REVISION**

**DATE**

**NO. REVISION**

**DATE**

**NO. REVISION**

**DATE**

**NO. REVISION**

**DATE**

**NO. REVISION**

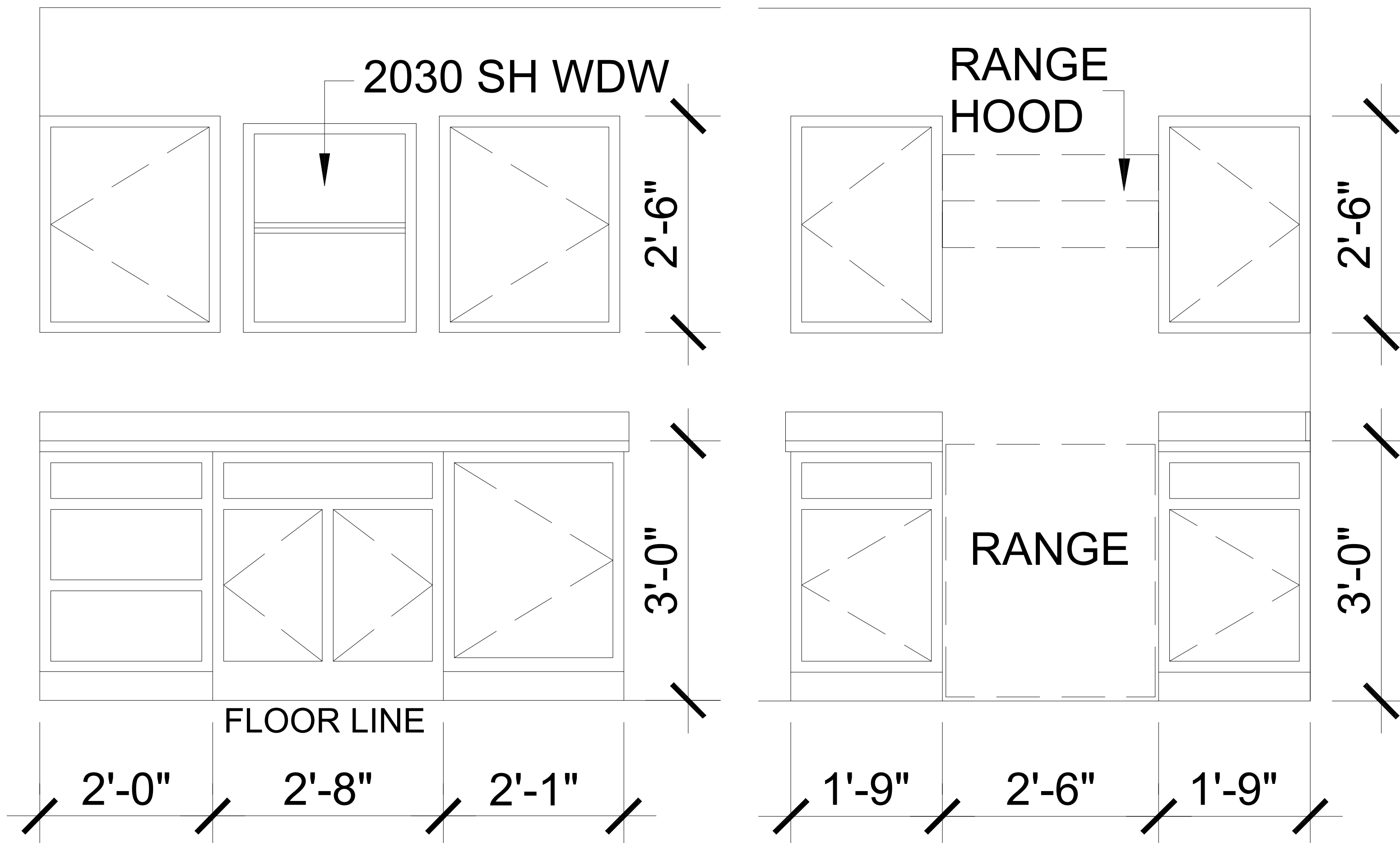
**DATE**

**NO. REVISION**

**DATE**

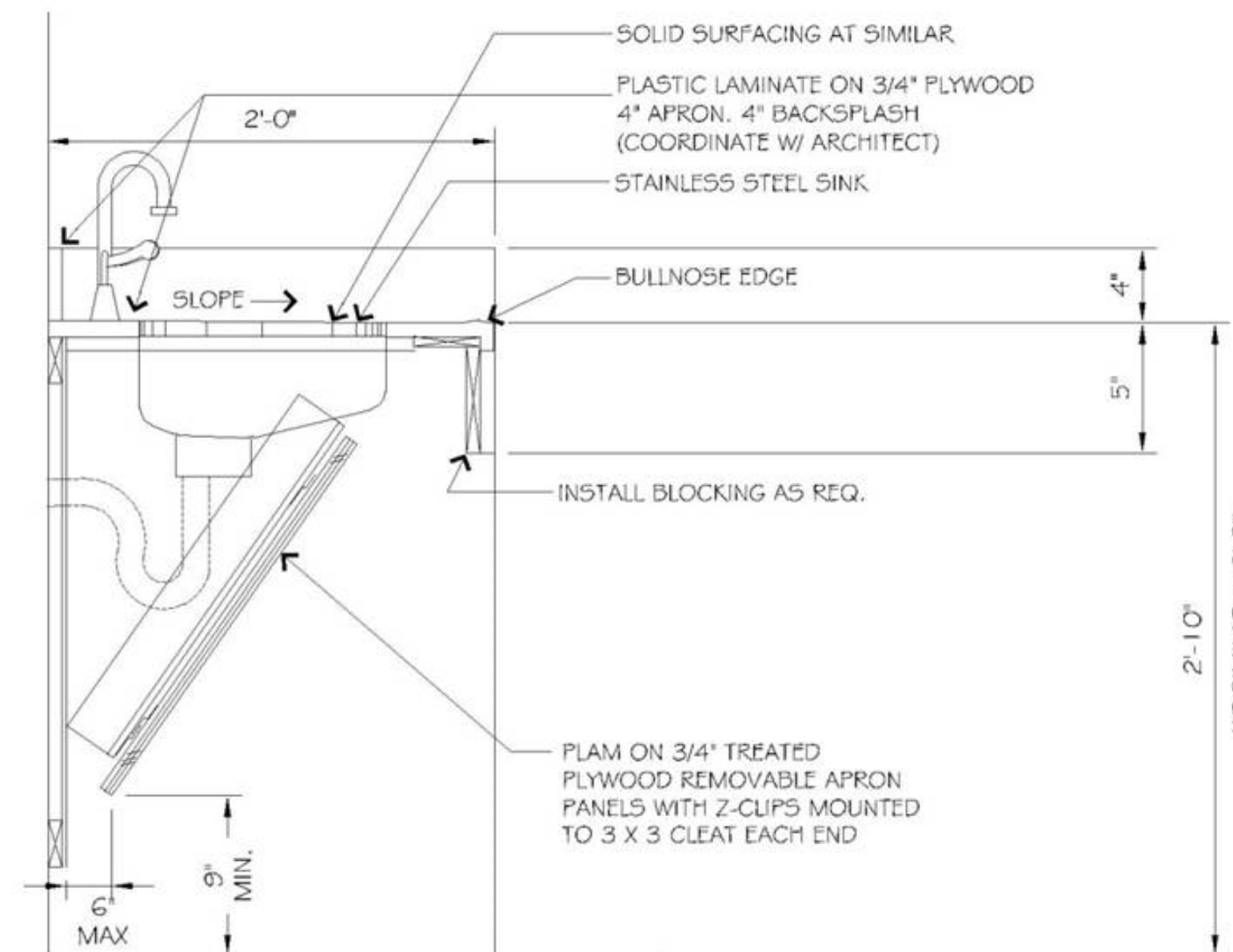
**NO. REVISION**

**DATE**



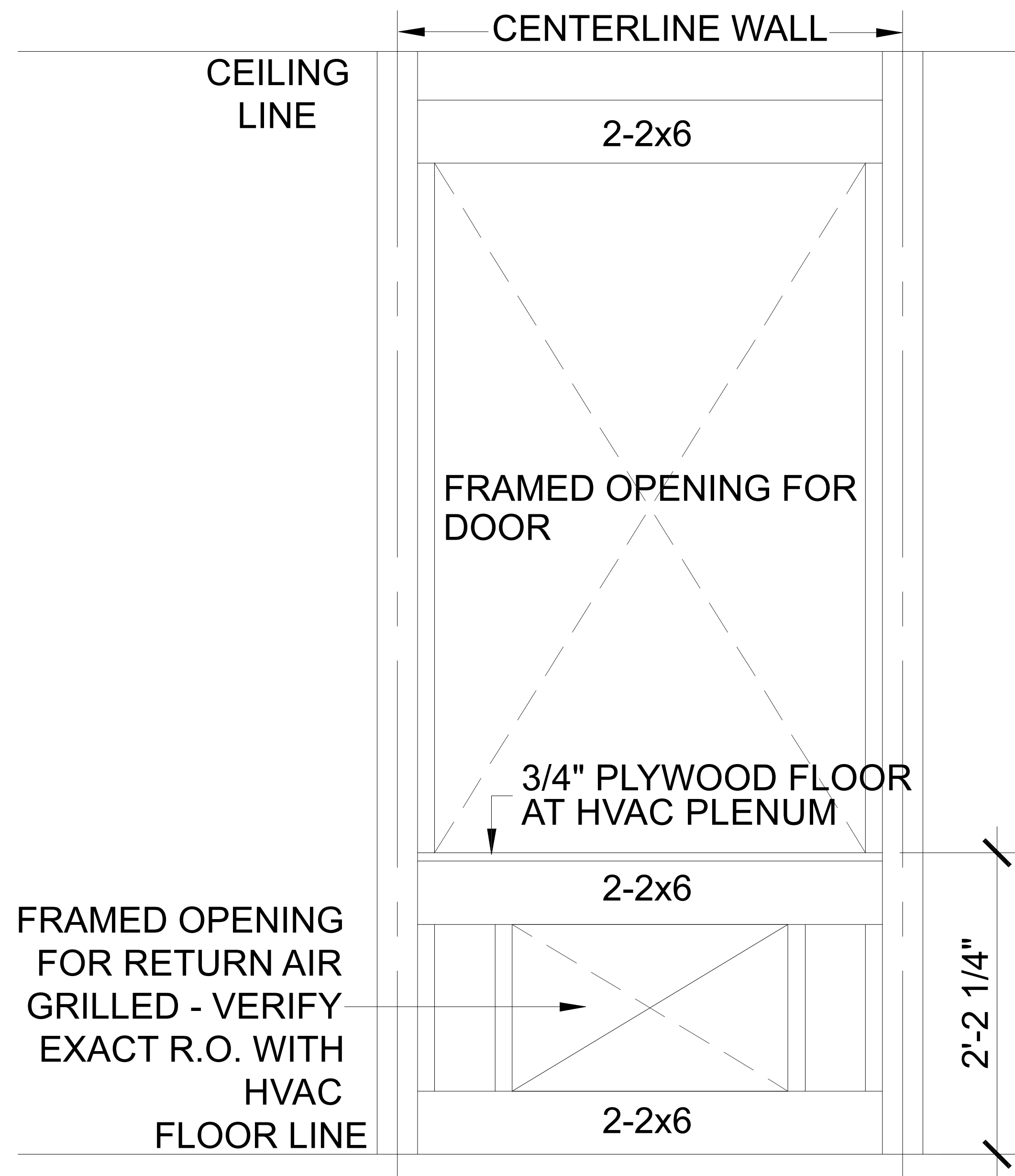
CABINET ELEVATION  
 SCALE 1" = 1/2" = 1'

**NOTE:**  
 COULD BE LOWERED FOR ADA COMPLIANCE WITH OPEN UNDER SINK IN KITCHEN  
 AND BATHROOM FOR WHEEL CHAIR ACCESSIBILITY. SEE ADA CABINET SIDE VIEW  
 FOR DIMENSIONS.



ADA CABINET SIDE VIEW  
 N.T.S.

HVAC CLOSET FRAMING  
 SCALE 1" = 1/2" = 1'



FRAMED OPENING  
 FOR RETURN AIR  
 GRILLED - VERIFY  
 EXACT R.O. WITH  
 HVAC  
 FLOOR LINE

A103  
 SHEET NO.

22"x34" PRINT ONLY







**ENGINEER**  
 KAS Gales Company  
 Consulting Engineers  
 18772 Harmon Road  
 Fayetteville, AR 72704  
 Wk. 479.361.9977  
 Cell 479.422.0763  
 Email:  
 carl.d.gales@gmail.com

**PROJECT:**

4 Bedroom Option  
 Right Gable Roof  
 1660 Square Foot

**CLIENT:**

Housing Authority  
 of the Cherokee Nation  
 1500 Hensley Drive  
 Tahlequah, Oklahoma  
 74465-1007

**SHEET:**

Front and Rear  
 Elevation

**APPROVED BY:**

CDG

**DATE PREPARED:**

March 2023

**DESIGNED BY:**

MDD

**DRAWN BY:**

MDD

**NO. REVISION**

DATE

**NO. REVISION**

DATE

**NO. REVISION**

DATE

**NO. REVISION**

DATE

**NO. REVISION**

DATE

**NO. REVISION**

DATE

**NO. REVISION**

DATE

**NO. REVISION**

DATE

**NO. REVISION**

DATE

**NO. REVISION**

DATE

**NO. REVISION**

DATE

**NO. REVISION**

DATE

**NO. REVISION**

DATE

**NO. REVISION**

DATE

**NO. REVISION**

DATE

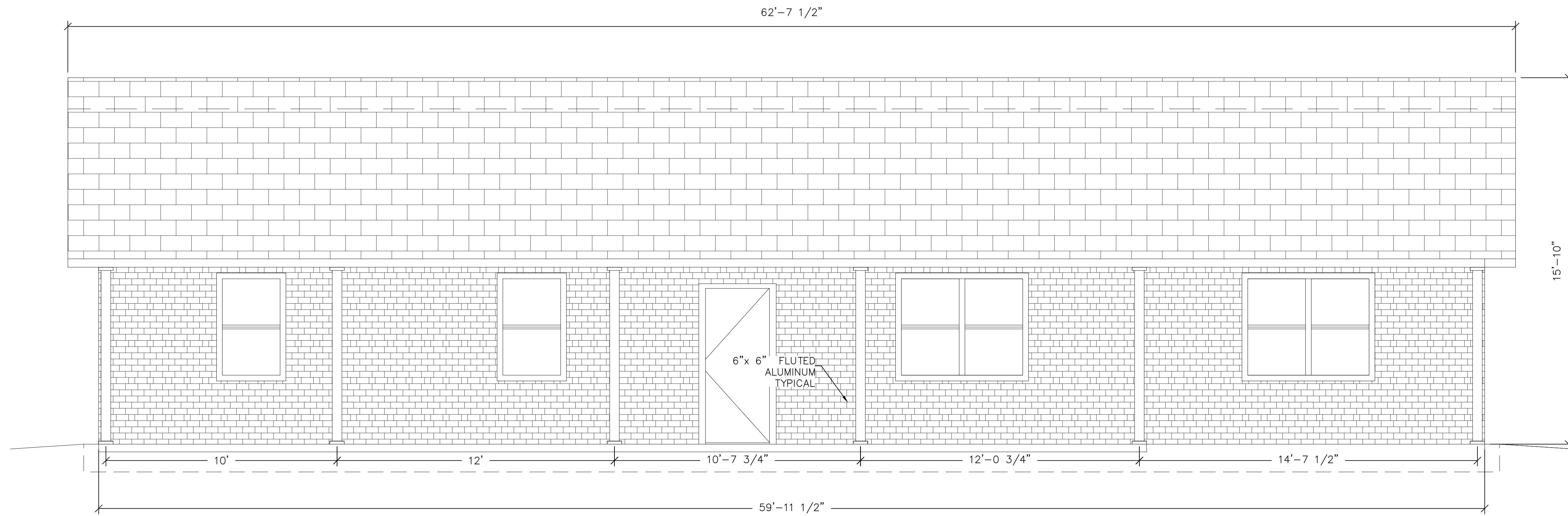
**NO. REVISION**

DATE

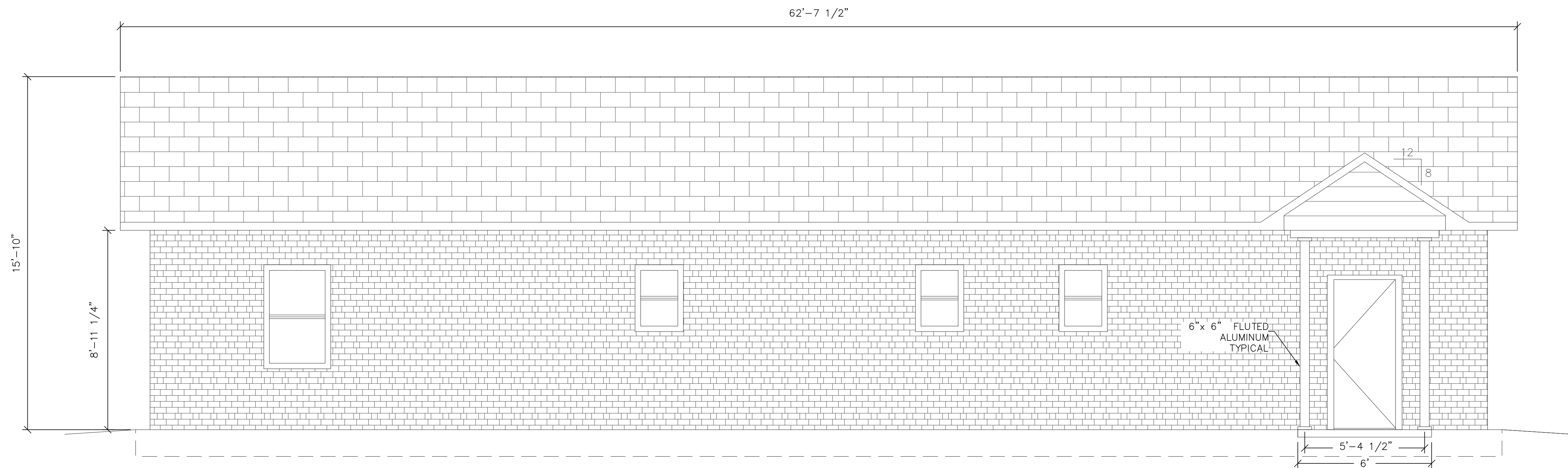
**A106**

SHEET NO.

**22"x34" PRINT ONLY**



FRONT ELEVATION



REAR ELEVATION

SCALE  
 3/8" = 1'













