

ENGINEER
KAS Gales Company
 Consulting Engineers
 18772 Harmon Road
 Fayetteville, AR 72704
 Wk. 479.361.9977 Cell 479.422.0763
 Email: carl.d.gales@gmail.com



Cherokee Nation
 4 Bedroom Left Garage
 Domestic Water Plan
 1915 Square Feet

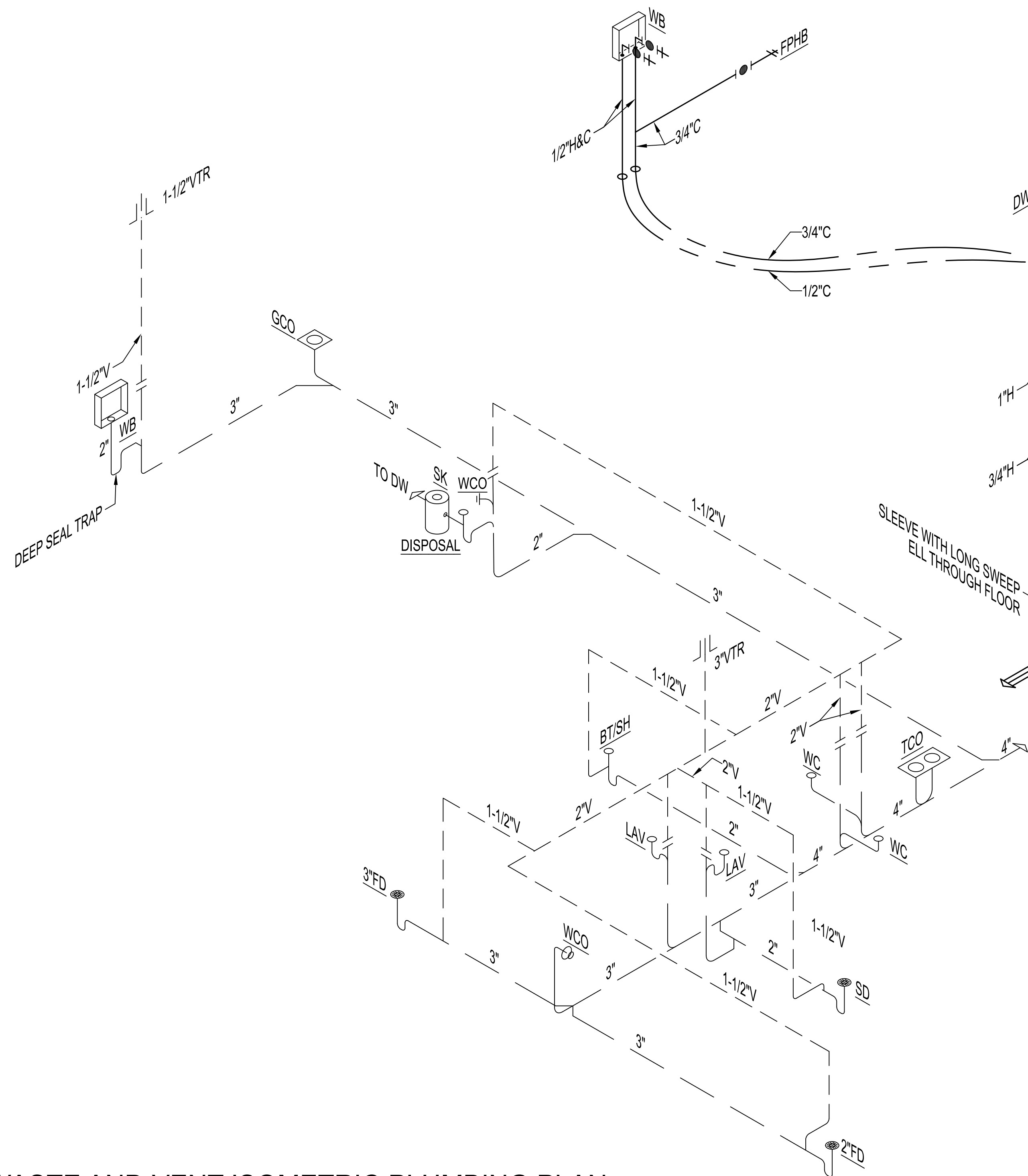
CLIENT: Cherokee Nation
 Housing Authority

NO.	REVISION	DATE	BY	DESIGNED BY:	APPROVED BY:
				CDG	
				MDD	
					June 2022

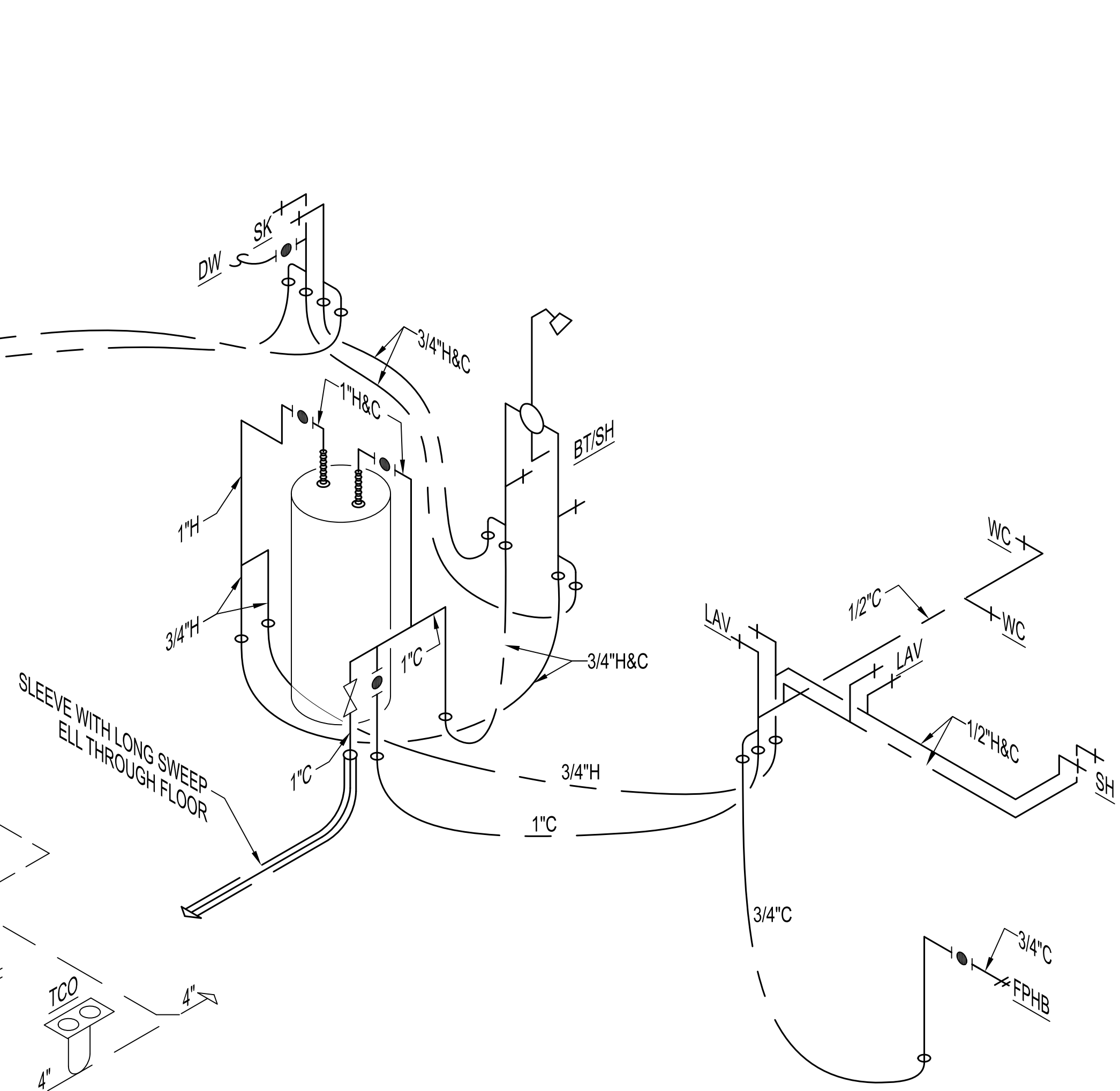
P102
 SHEET NO.

ADA RAMP AS
 SPECIFIED

1 WASTE AND VENT ISOMETRIC PLUMBING PLAN
Scale: NTS



2 DOMESTIC WATER ISOMETRIC PLUMBING PLAN
Scale: NTS



ENGINEER
KAS Gales Company
Consulting Engineers
18772 Harmon Road
Fayetteville, AR 72704
Wk. 479.361.9977 Cell 479.422.0763
Email: carl.d.gales@gmail.com

Cherokee Nation
4 Bedroom Left Garage
Isometric Plumbing Plan
1915 Square Feet

CLIENT: Cherokee Nation
Housing Authority

NO.	REVISION	DATE	BY	DESIGNED BY:	APPROVED BY:
				CDG	
				MDD	
					June 2022

P103
SHEET NO.

