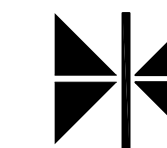




**CHEROKEE CASINO
ROLAND**
Roland, Oklahoma

ARCHITECT:



Thalden • Boyd Architects
A Native American Firm

16 East 16th Street, Suite 500
Tulsa, Oklahoma 74119
(918) 587-7445
St. Louis, MO Las Vegas, NV

THALDEN BOYD ARCHITECTS, LLC
COPYRIGHT 2006

THESE DRAWINGS AND SPECIFICATIONS ARE COPYRIGHTED AND REMAIN THE PROPERTY OF THALDEN BOYD ARCHITECTS. THEY MAY NOT BE REPRODUCED OR REPRODUCED WITHOUT WRITTEN CONSENT.

CONSULTANT:



**KURTZ
ASSOCIATES
ARCHITECTS**

701 Lee Street
Suite 900
Des Plaines, Illinois
60016-4551

V 847 824 0132
F 847 824 7906
www.kurtzarch.com

SEAL:

REVISIONS:

1	JL	3-15-06	REVISION
2	JL	3-10-06	REVISION
3	JL	2-27-06	REVISION
4	JL	1-30-06	PRE-BID ADDENDUM

NO. BY DATE

TITLE:

**WALL
SECTION &
DETAILS**

PROJECT NO.: 5409.00

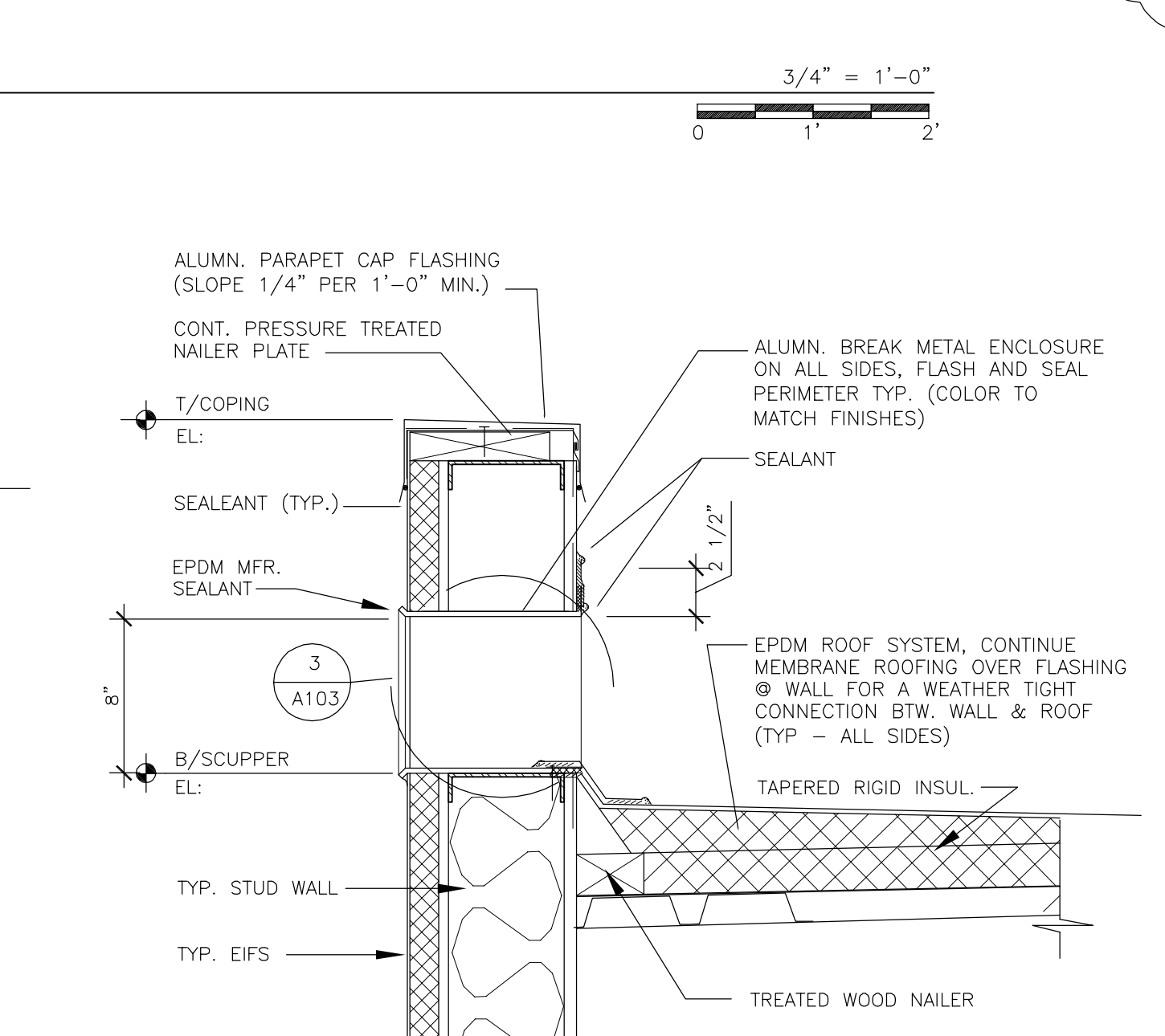
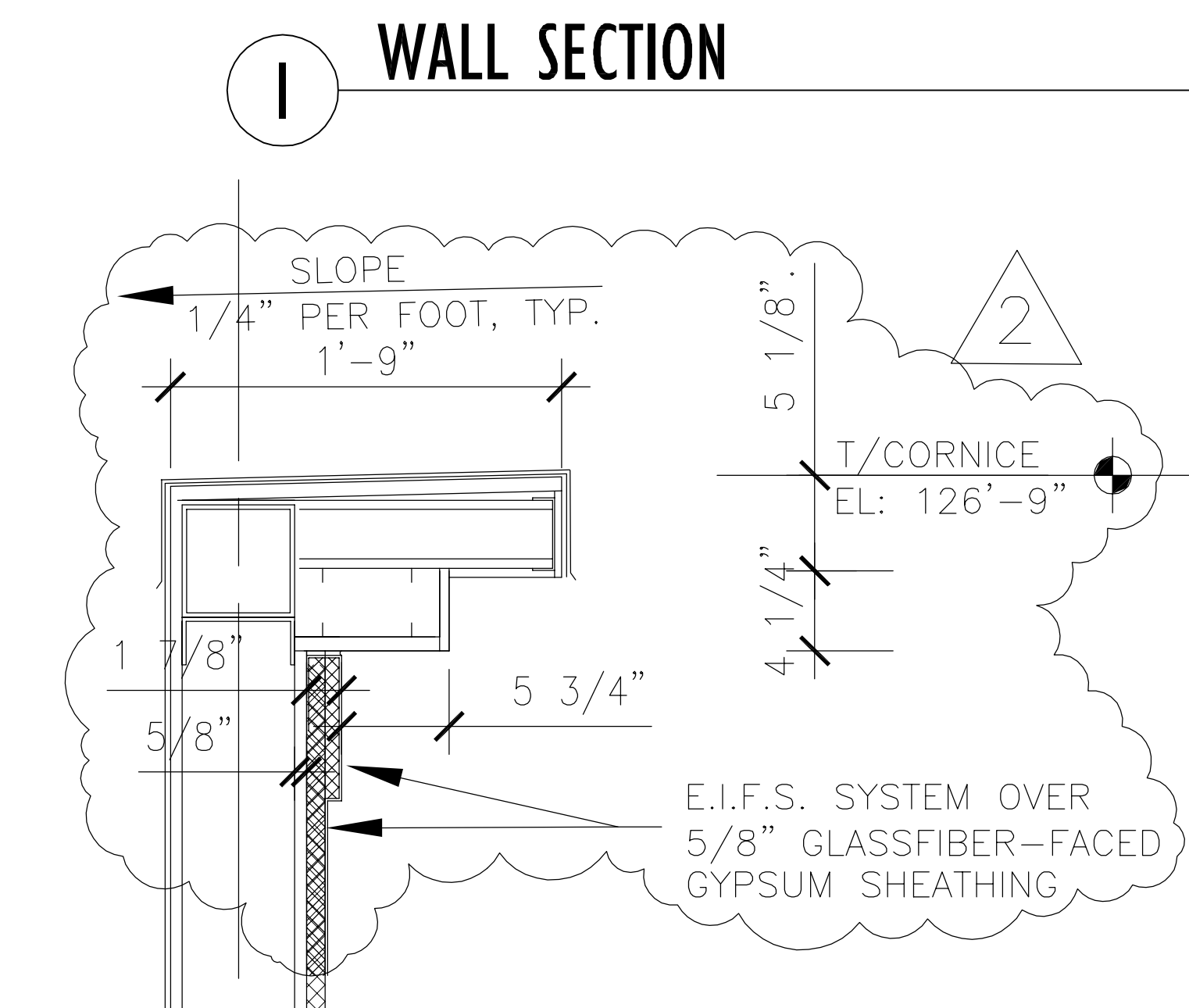
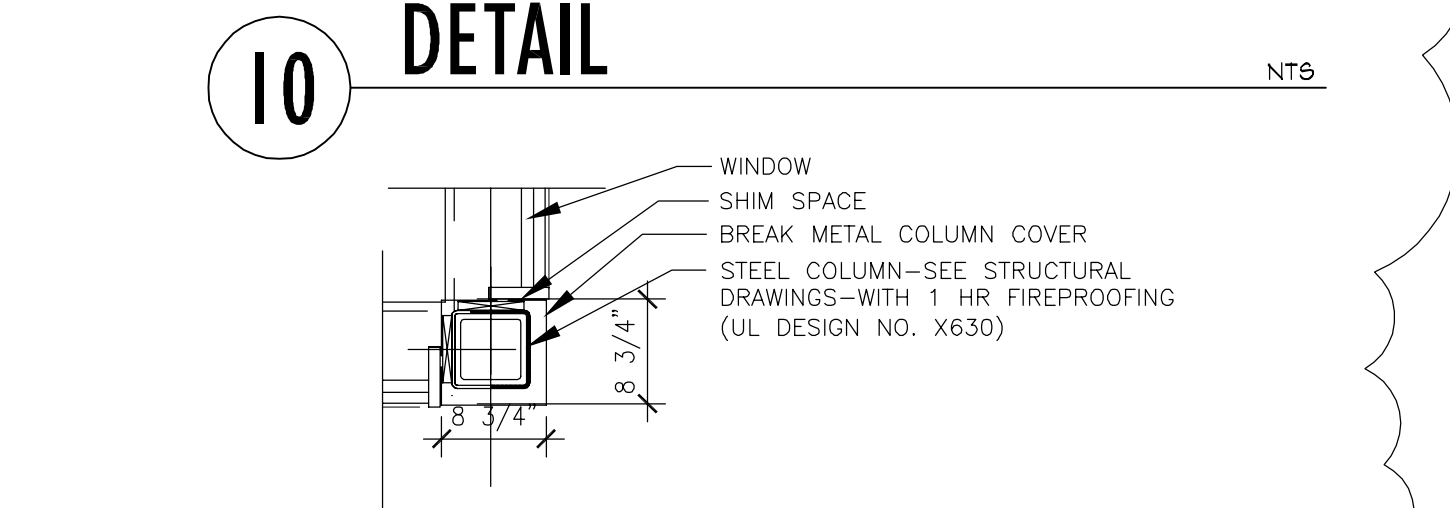
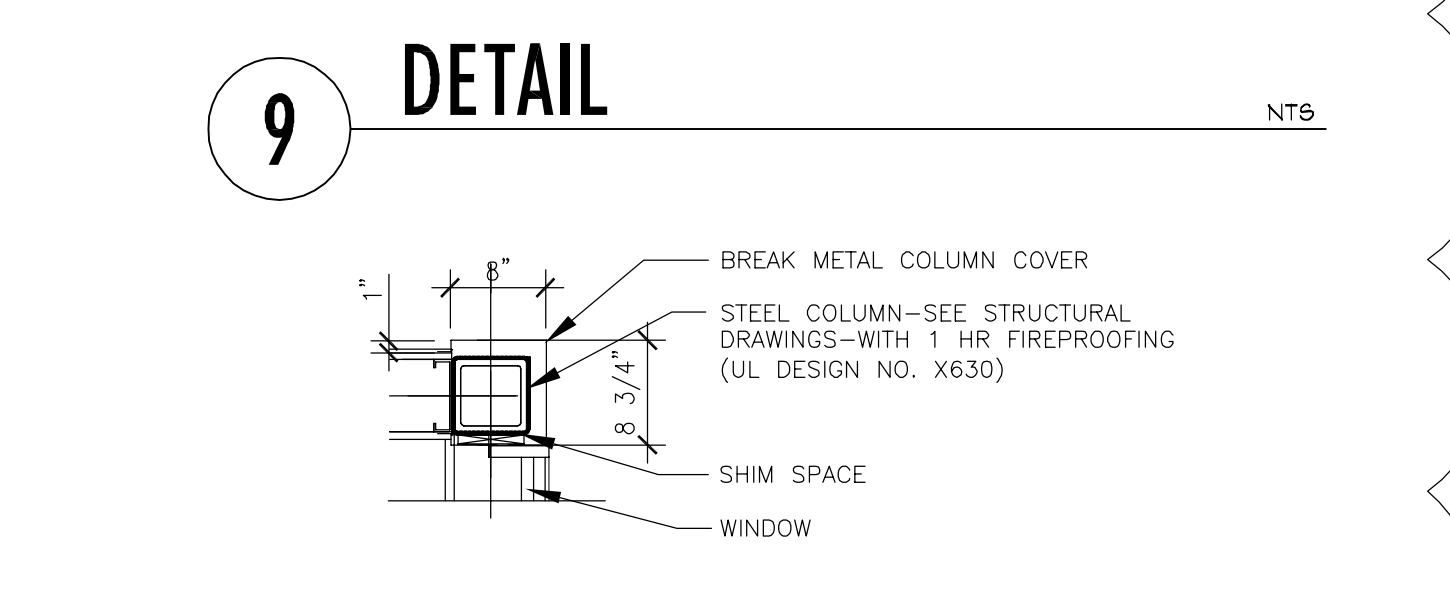
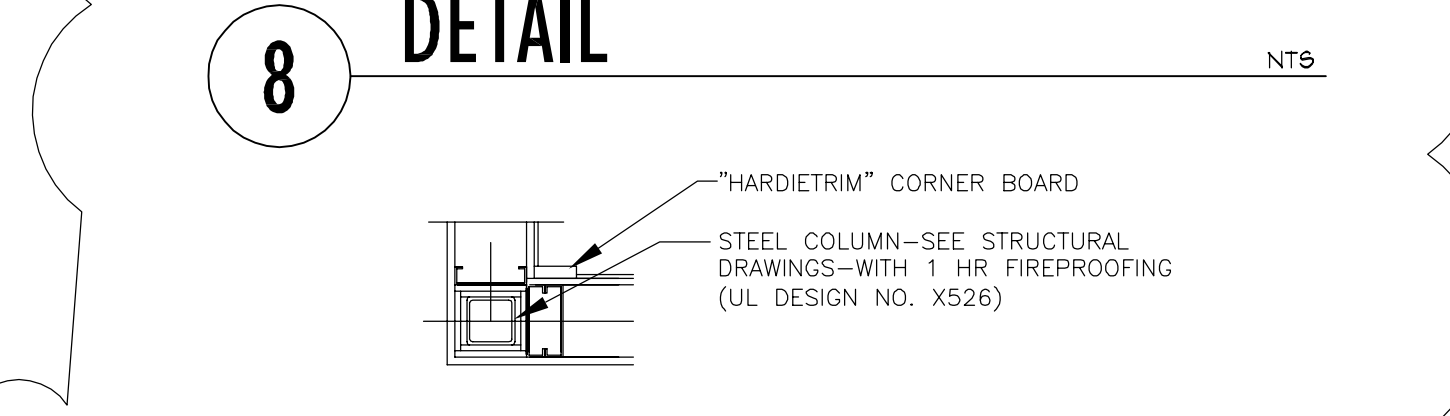
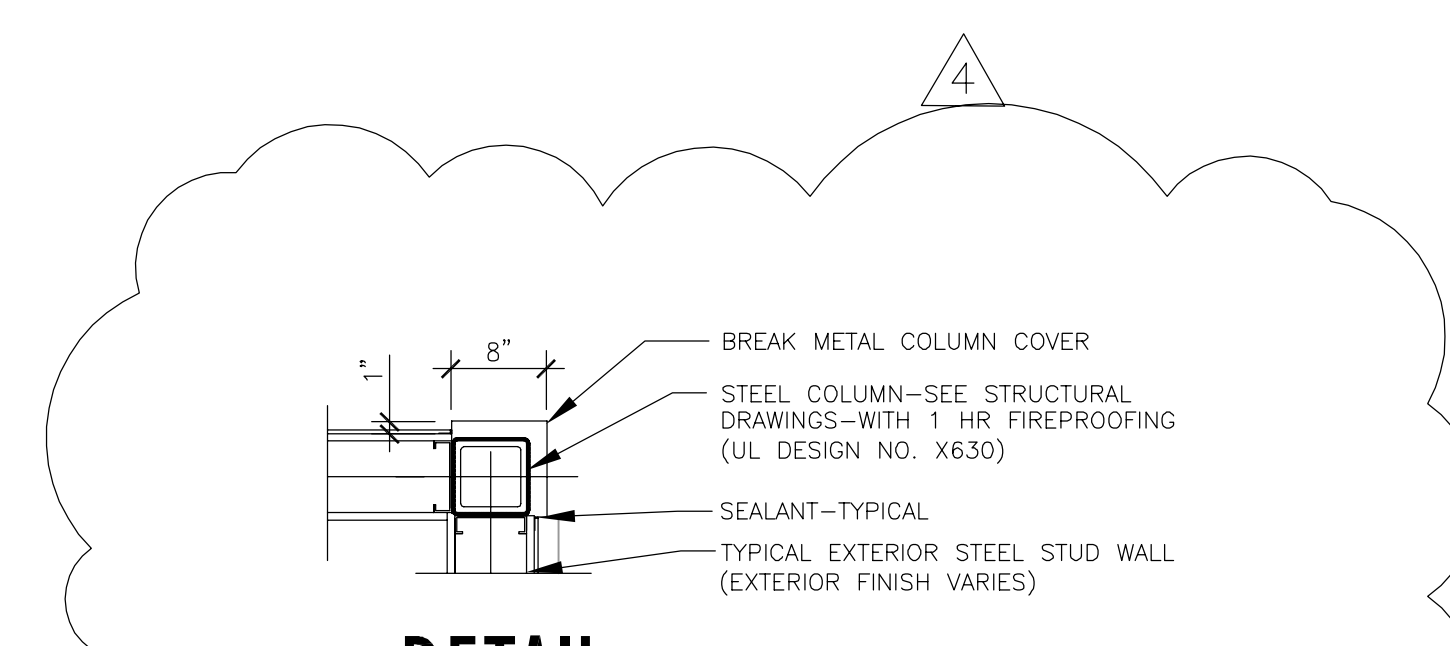
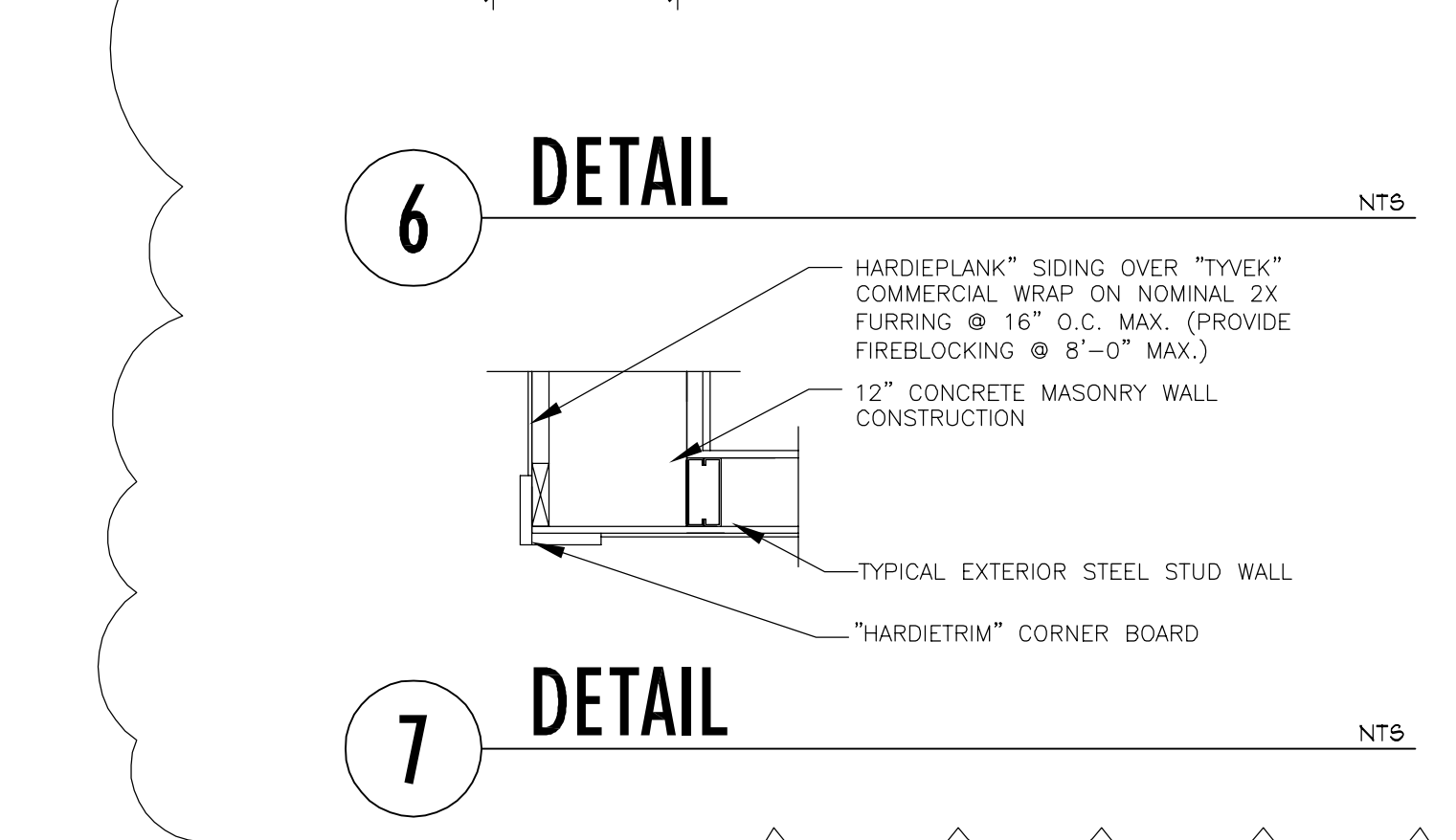
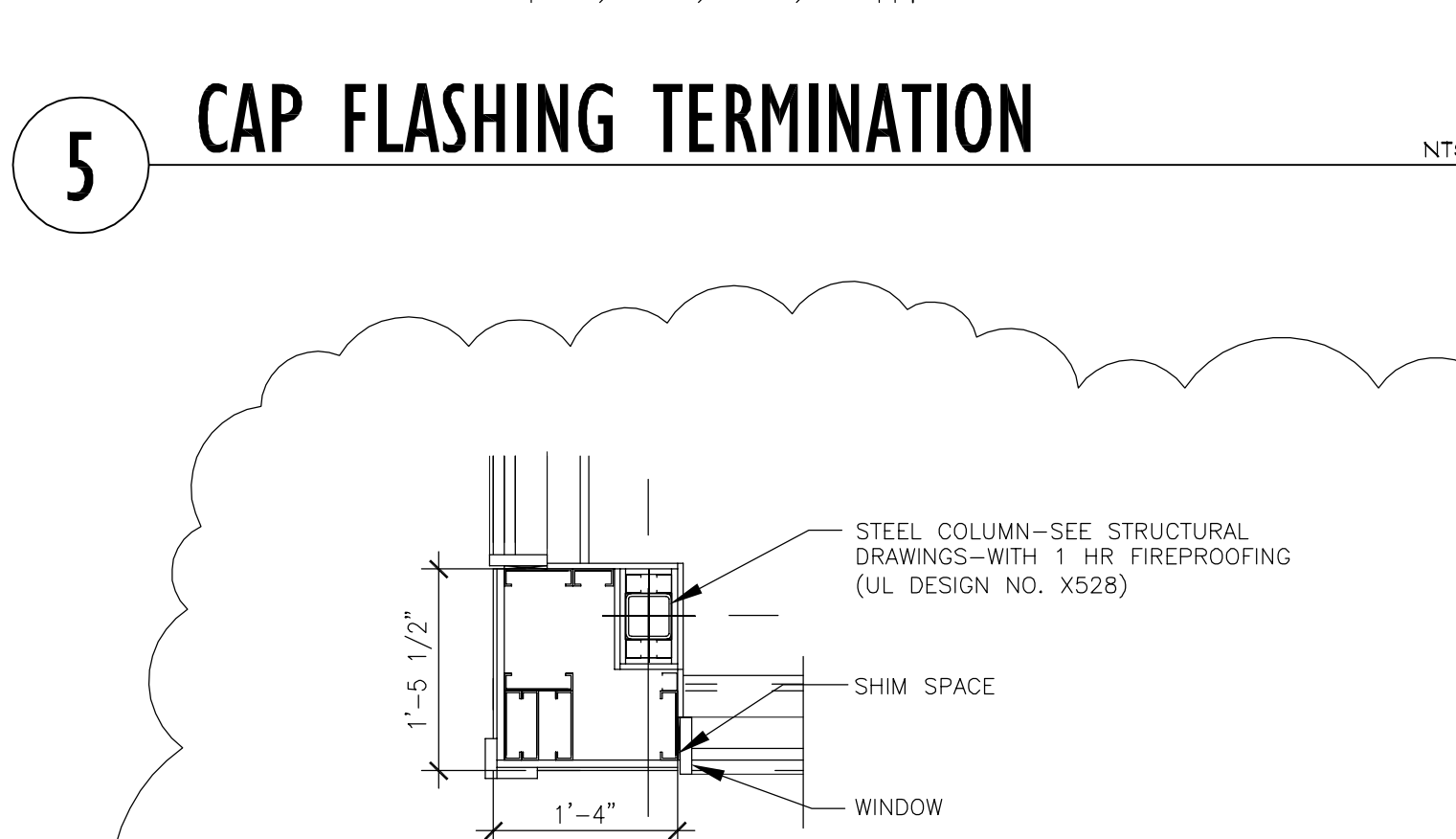
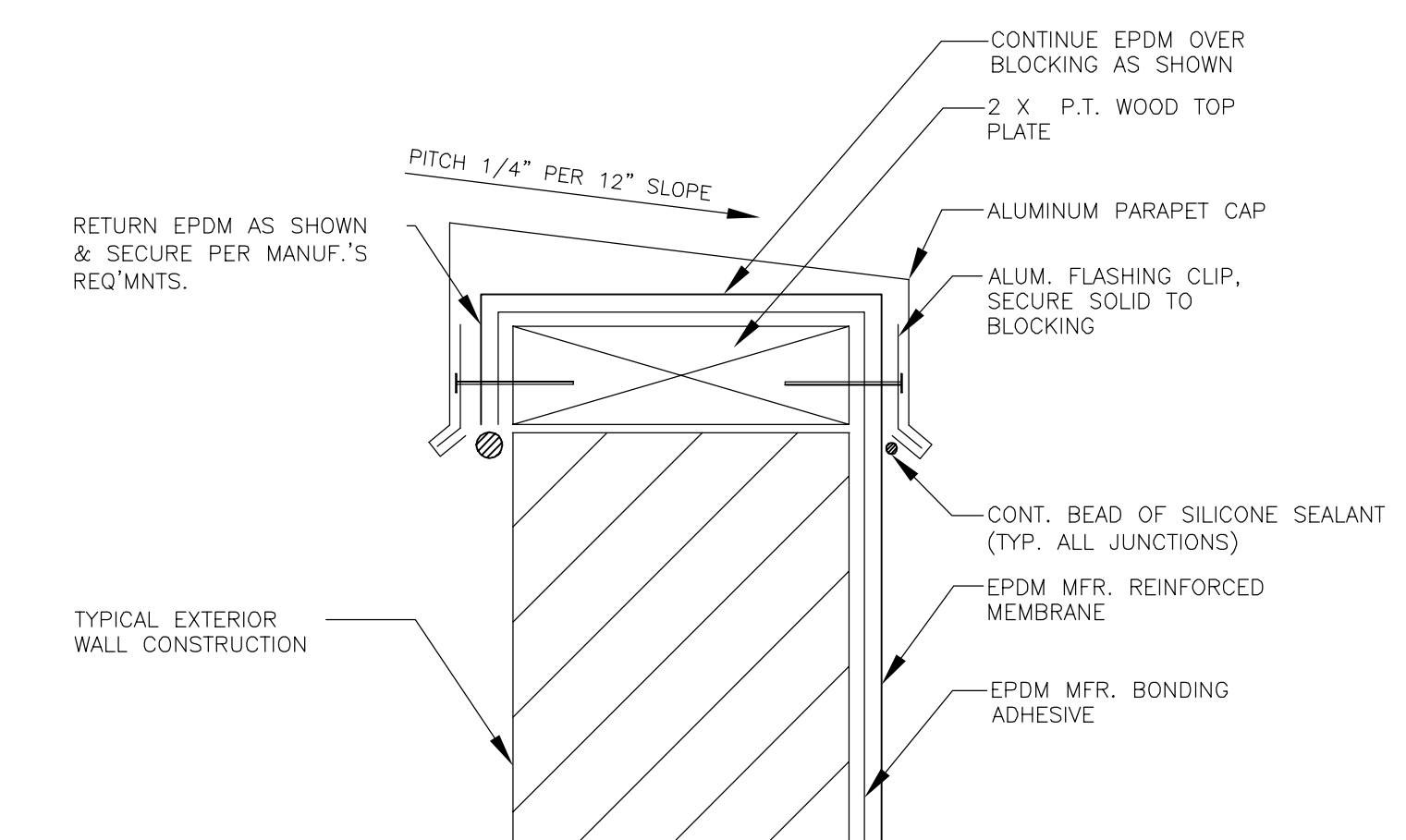
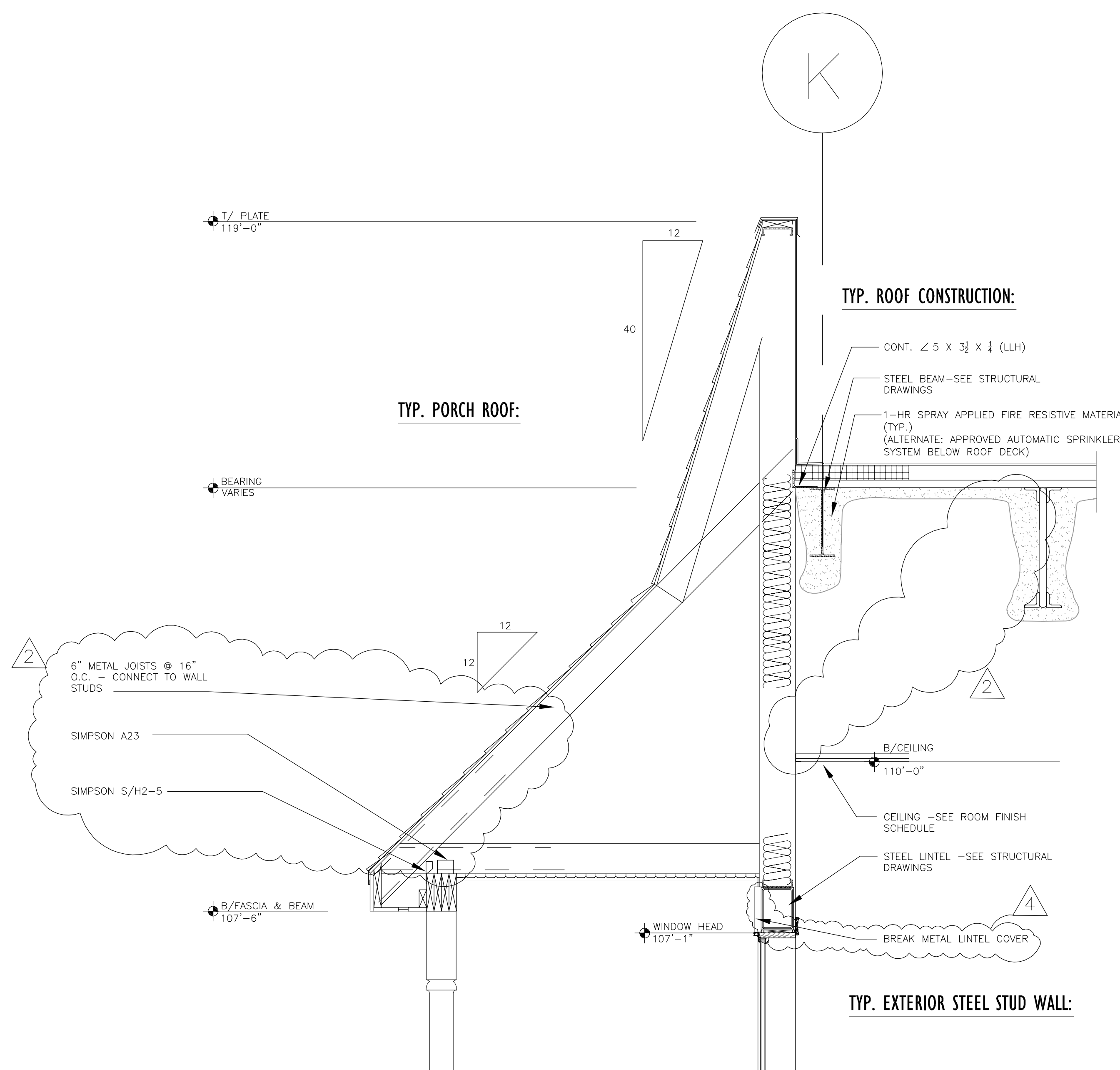
DATE: 1/9/06

SCALE: AS SHOWN

BID ISSUE

DRAWING NO.

A307



- OVERFLOW SCUPPER NOTES:**
- TREATED WOOD NAILER MUST EXTEND PAST TOTAL WIDTH OF DECK FLANGE.
 - INSTALL WALL FLASHING PRIOR TO SCUPPER INSTALLATION.
 - DISCONTINUE FASTENING PLATES AT SCUPPER OPENING AS SHOWN.
 - METAL SCUPPER BOX MUST HAVE CONTINUOUS SIDES: METAL FLANGE MUST BE CONTINUOUS WITH ROUNDED CORNERS.
 - WATER CUT-OFF MASTIC UNDER SCUPPER FLANGE MUST BE UNDER CONSTANT COMPRESSION.
 - MINIMUM 2" (5 cm) SPLICE FROM NAIL HEAD.
 - EPDM MFR. SEALANT IS REQUIRED AT FLASHING EDGE ON SCUPPER EDGE.

