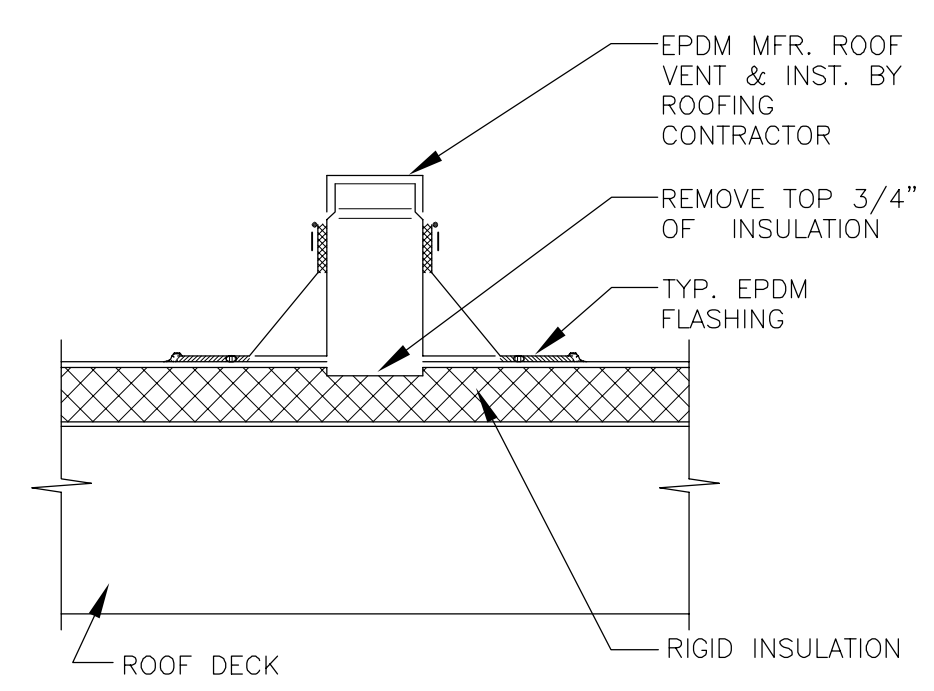


ROOF PLAN

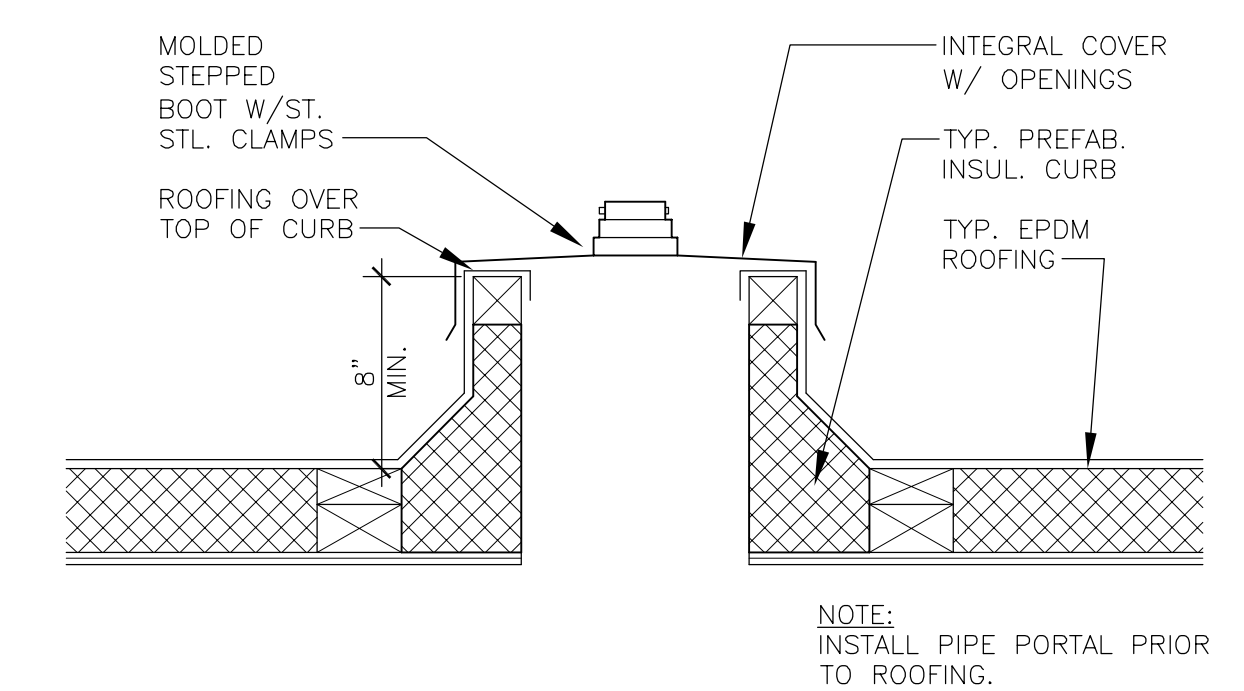
1/8" = 1'-0"
0 2 8

EPDM ROOF SYSTEM:

- ALL AREAS TO HAVE TO BE 1/4"/12" PITCHED ROOFS
- FULLY ADHERED SHEET EPDM 60 MIL NON-REINFORCED MEMBRANE (SINGLE PLY). REFER TO MANUFACTURER'S WRITTEN INSTRUCTIONS AND DETAILS FOR SPECIFIC ROOF SYSTEM INSTALLATION. CONTRACTOR TO PROVIDE COMPLETE ROOFING PACKAGE PER MANUFACTURER'S RECOMMENDATIONS.
- MANUFACTURED TO COMPLY W/ CLASS A FIRE CLASSIFICATION
- ROOFING CONTRACTOR SHALL PROVIDE MFR'S 15 YEAR WARRANTY CERTIFICATE FOR INSTALLATION & MATERIAL
- COORDINATE WITH MECHANICAL CONTRACTOR FOR LOCATION OF ALL ROOF PENETRATIONS AND OPENINGS AND INSTALL FLASHING FOR ALL ROOF TOP EQUIPMENT CURBS.
- REFER TO DETAILS ON SHEET A501.

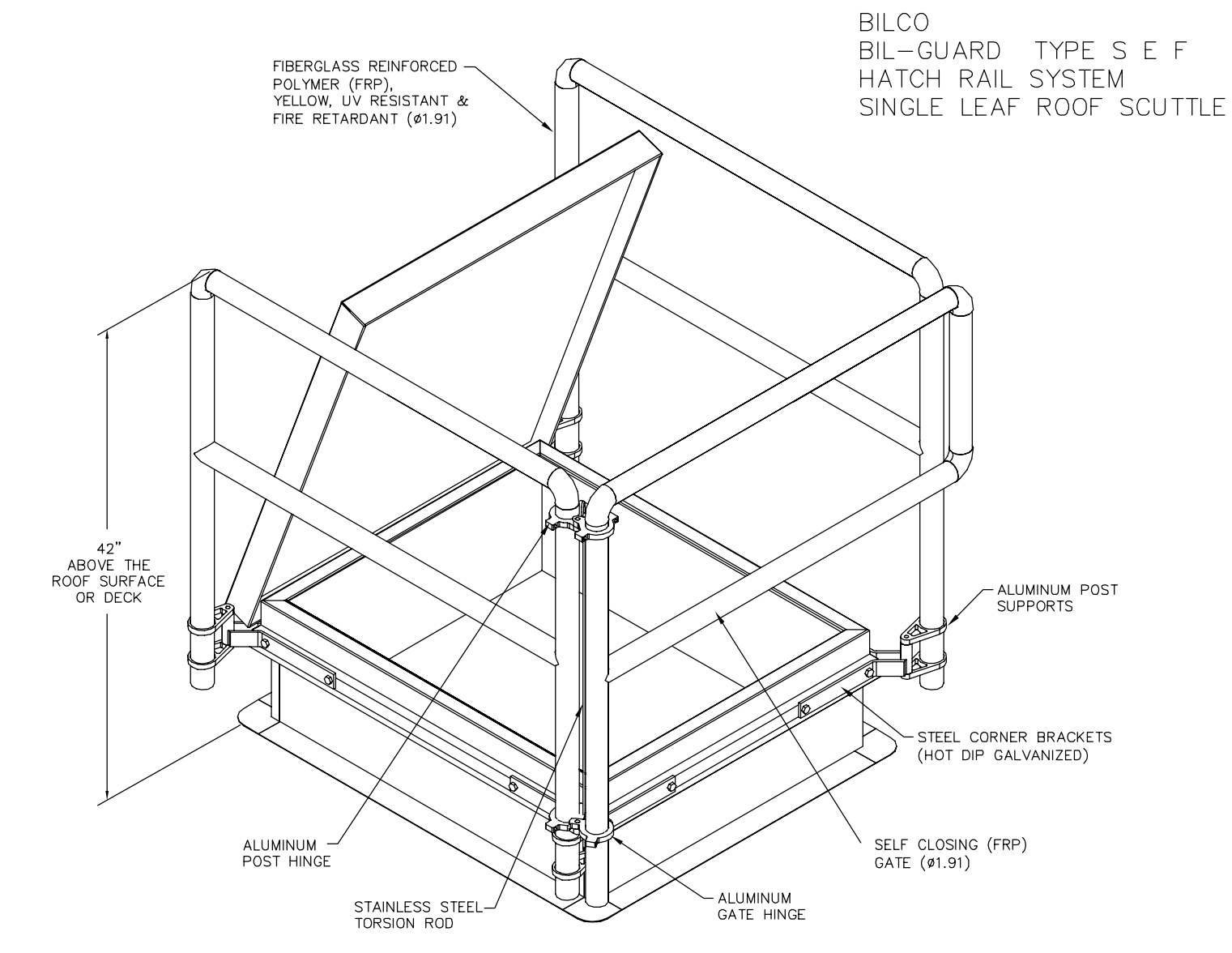


1 ROOF VENT NTS

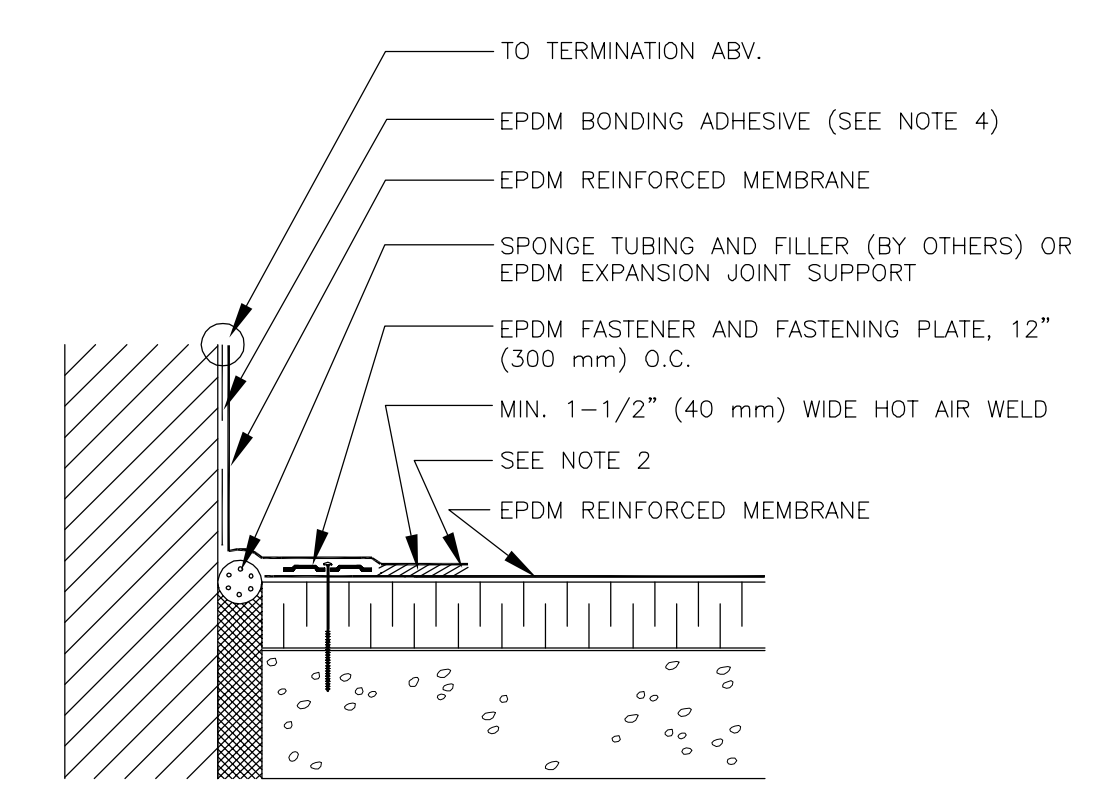


2 PIPE PORTAL NTS

NOTE: INSTALL PIPE PORTAL PRIOR TO ROOFING.



3 HATCH GUARD RAIL NO SCALE



4 EXPANSION JOINT AT WALL NO SCALE

NOTES:

1. POSITION FASTENING PLATES 1/2" (13 mm) MINIMUM TO 1" (25 mm) MAXIMUM FROM EDGE OF DECK FLANGE.
2. APPROXIMATELY 1/8" (3 mm) DIAMETER BEAD OF EDGE SEALANT IS REQUIRED ON CUT EDGES OF EPDM REINFORCED MEMBRANE.
3. REFER TO EPDM MEMBRANE FASTENER CRITERIA FOR PROPER FASTENERS AND PLATES.
4. EPDM BONDING ADHESIVE IS REQUIRED REGARDLESS OF TERMINATION HEIGHT.

SEAL:

NO.	BY	DATE

TITLE:
ROOF PLAN & DETAILS

PROJECT NO.: 5409.00
DATE: 1/9/06
SCALE: AS SHOWN

BID ISSUE
DRAWING NO.
A103