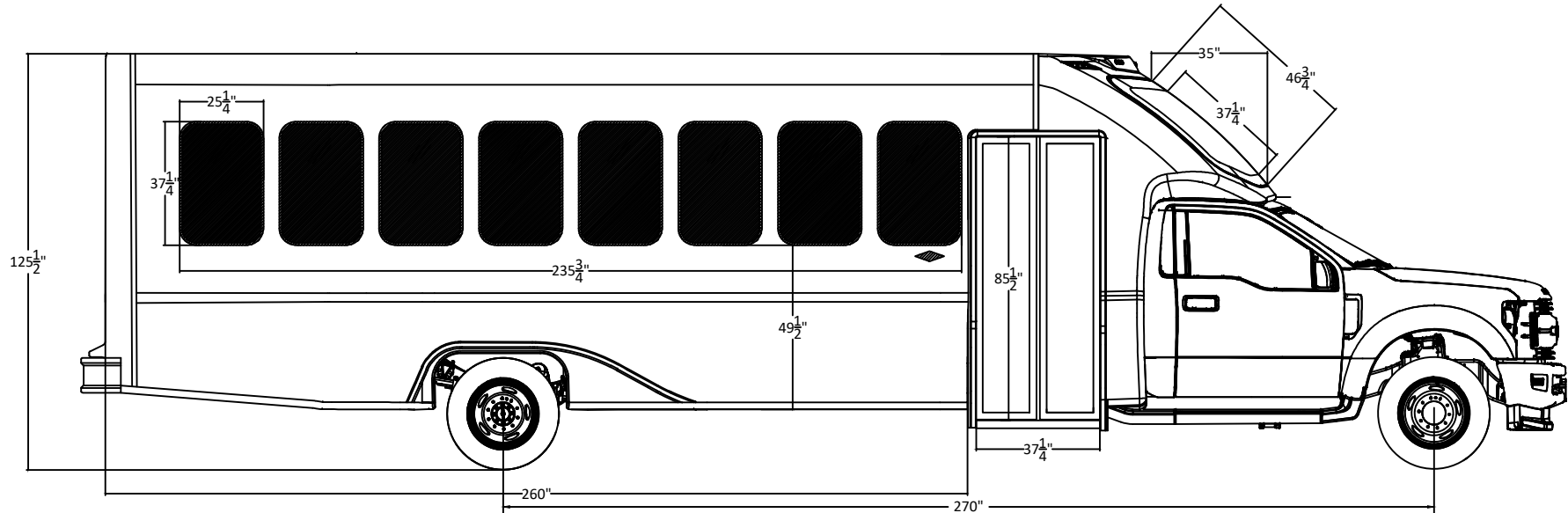
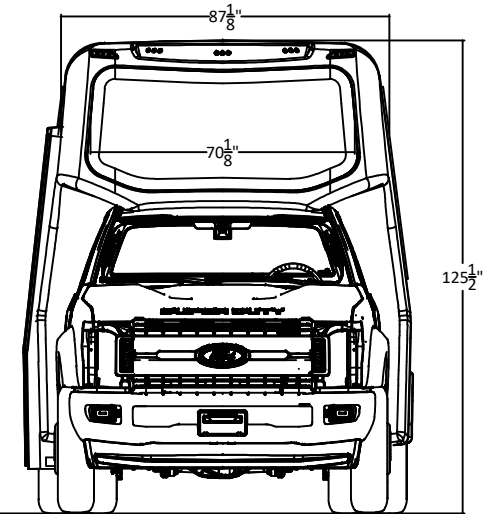
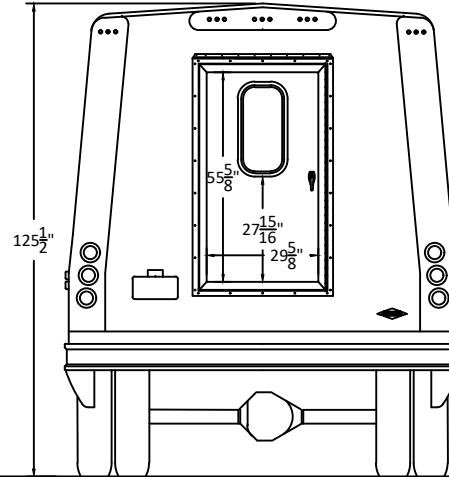
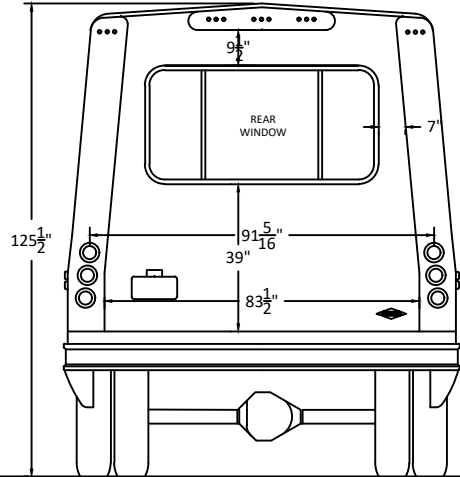


CUSTOMER CONFIRMATION

APPROVED BY:

DATE:



LEGEND:

- =EGRESS WINDOW.
- =ADA PRIORITY SEAT LOCATION.
- =ADA WHEELCHAIR PLACEMENT.
- =WHEELCHAIR TIE DOWN SHOULDER BELT LOCATION.
- =WHEELCHAIR TIE DOWN STORAGE BAG LOCATION.

THE CONTENTS OF THIS DRAWING ARE THE PROPERTY OF DIAMOND COACH. ANY USE OR MODIFICATION WITHOUT WRITTEN PERMISSION IS STRICTLY PROHIBITED. WE RESERVE THE RIGHT TO MAKE CHANGES WITHOUT NOTICE TO MODELS, EQUIPMENT, SPECIFICATIONS, PRICES, COLORS, MATERIALS, & ALSO TO DISCONTINUE MODELS



P.O. BOX 489, 2300 WEST FOURTH STREET
OSWEGO, KANSAS 67356 (620)-795-2191, FAX-4816

3500 ELEVATIONS

CHASSIS:	270" WHEEL BASE FORD F550-SERIES
SCALE:	1:40
DATE:	8/6/2019
DRAWN BY:	ADAM PEASE
APPROVED BY:	LEVI GOTT
BUILD NUMBER:	